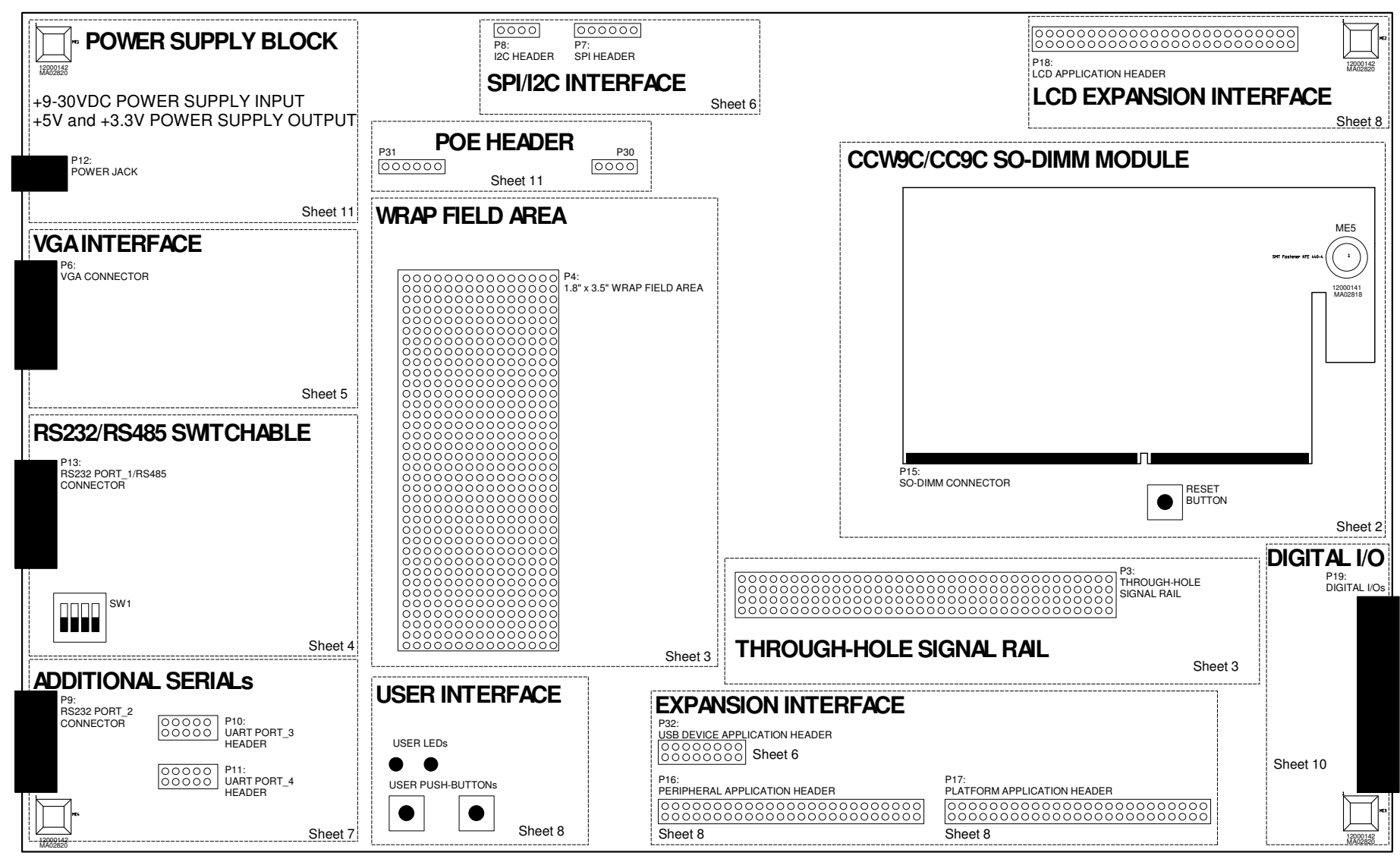


# ConnectCore Wi-9C and ConnectCore 9C Development Board



Page 1 **TABLE OF CONTENTS**

Page 2 **CCW9C/CC9C SO-DIMM CONNECTOR**

Page 3 **THROUGH-HOLE SIGNAL RAILS + 1.8" x 3.5" WRAP FIELD AREA**

Page 4 **RS232/RS485 Serial Port**

Page 5 **VGA**

Page 6 **I2C and SPI Interface, USB Device application header**


Page 7 **Additional UARTs**

Page 8 **User Interface + Expansion Interface**

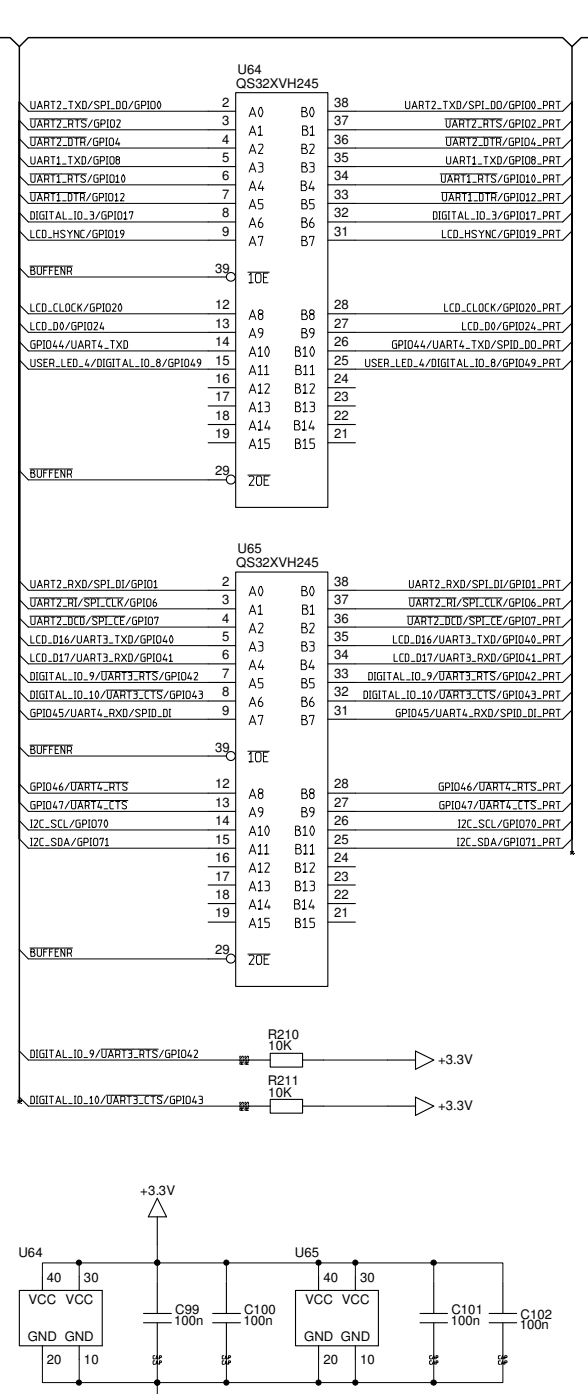
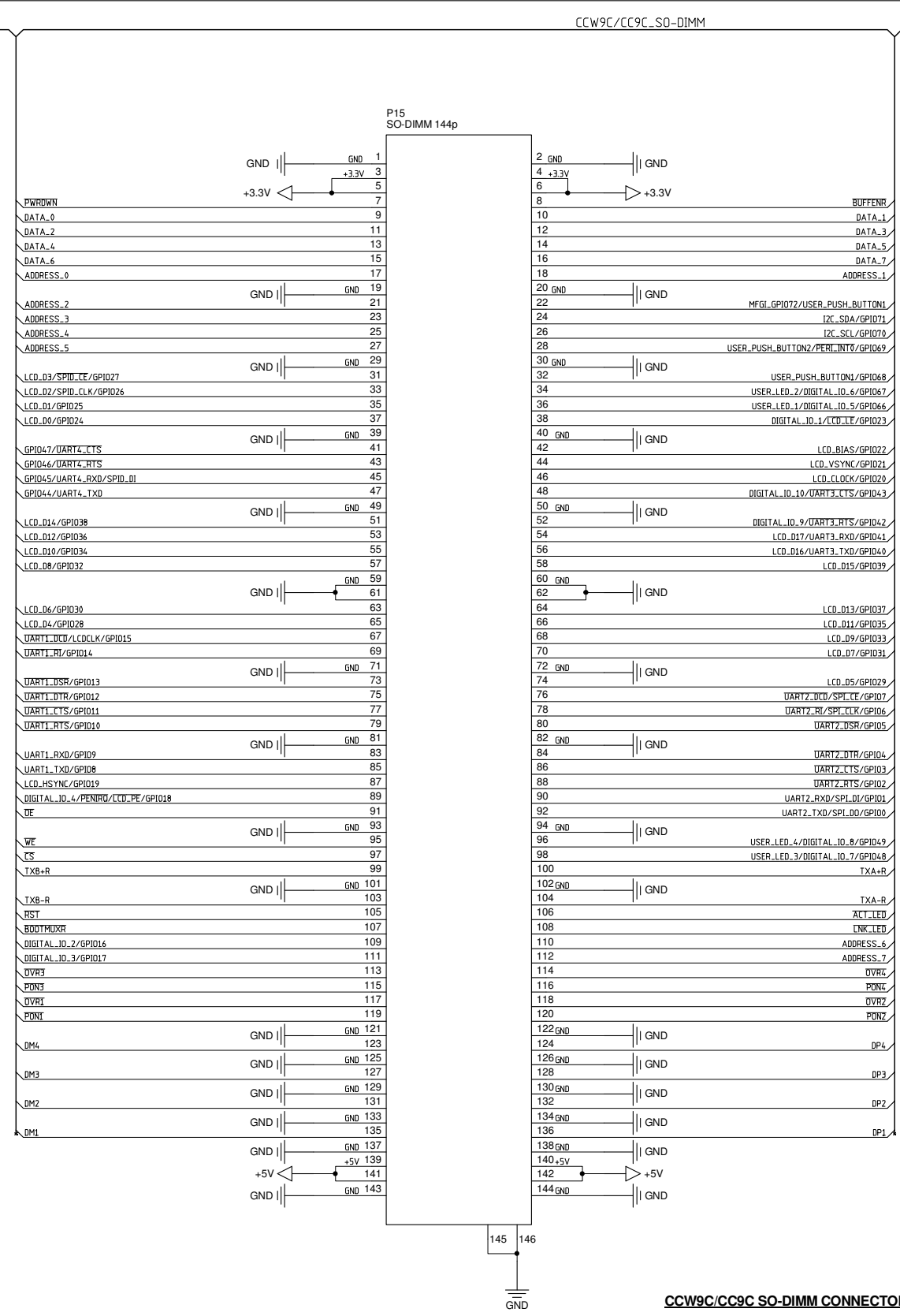
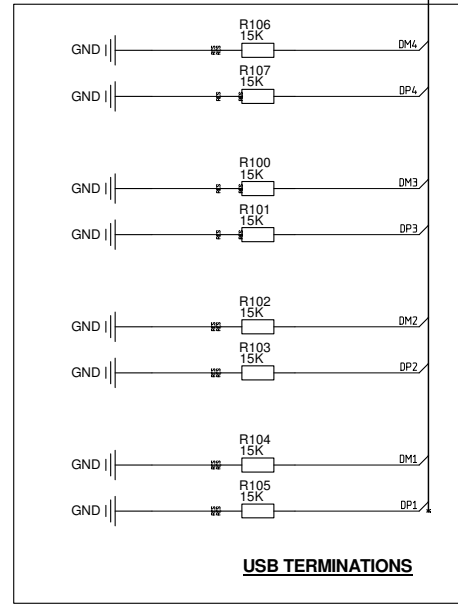
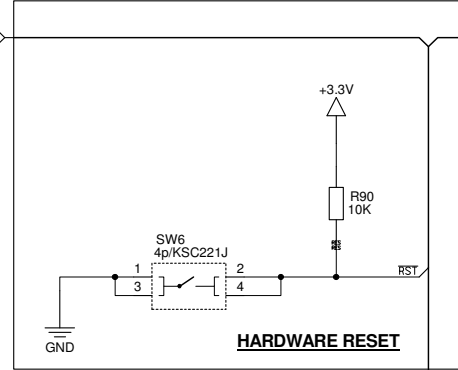
Page 9 **Buffers & LEDs for Serial Ports**

Page 10 **Digital I/Os**

Page 11 **Power Supplies, POE module**

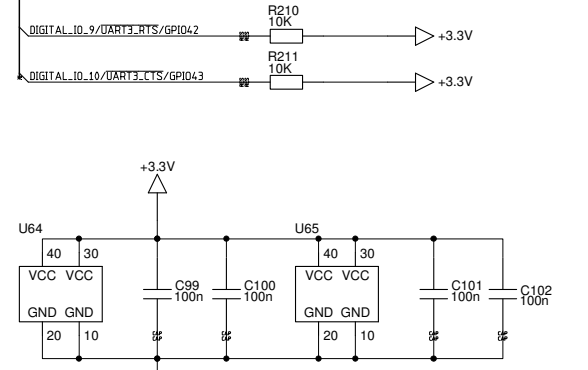
REV	ECO	DESCRIPTION OF CHANGE	BY	CKD	APPR	DATE
APPROVALS		DATE	 <b>TABLE OF CONTENTS</b>			
DESIGNED		4/20/2010				
DRAWN		4/20/2010				
CHECKED		4/20/2010				
ENGINEER		4/20/2010				
2:14:47 PM 30009481-02revA1		SIZE <b>A3</b>	PART NO. 30009481-02		REV <b>A1</b>	
DO NOT SCALE DRAWING			SCALE: NTS		SHEET 01 of 11	

30009481-02revA  
PCB: CCW9C\_LC\_3  
1  
L02857



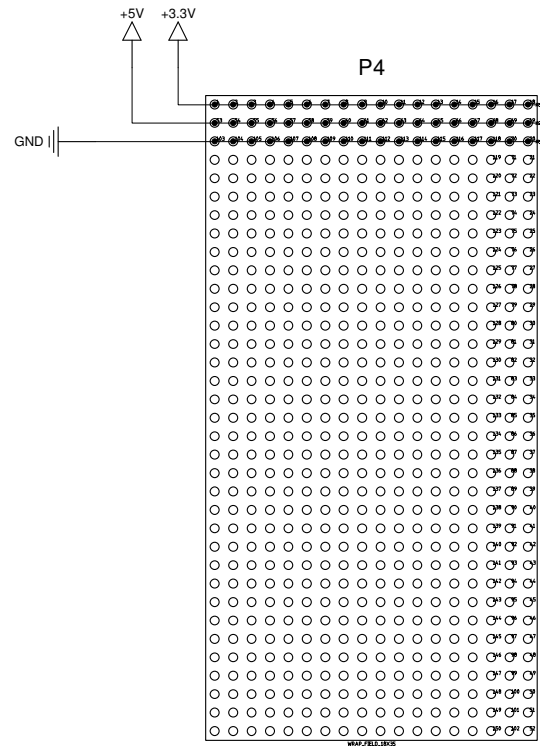
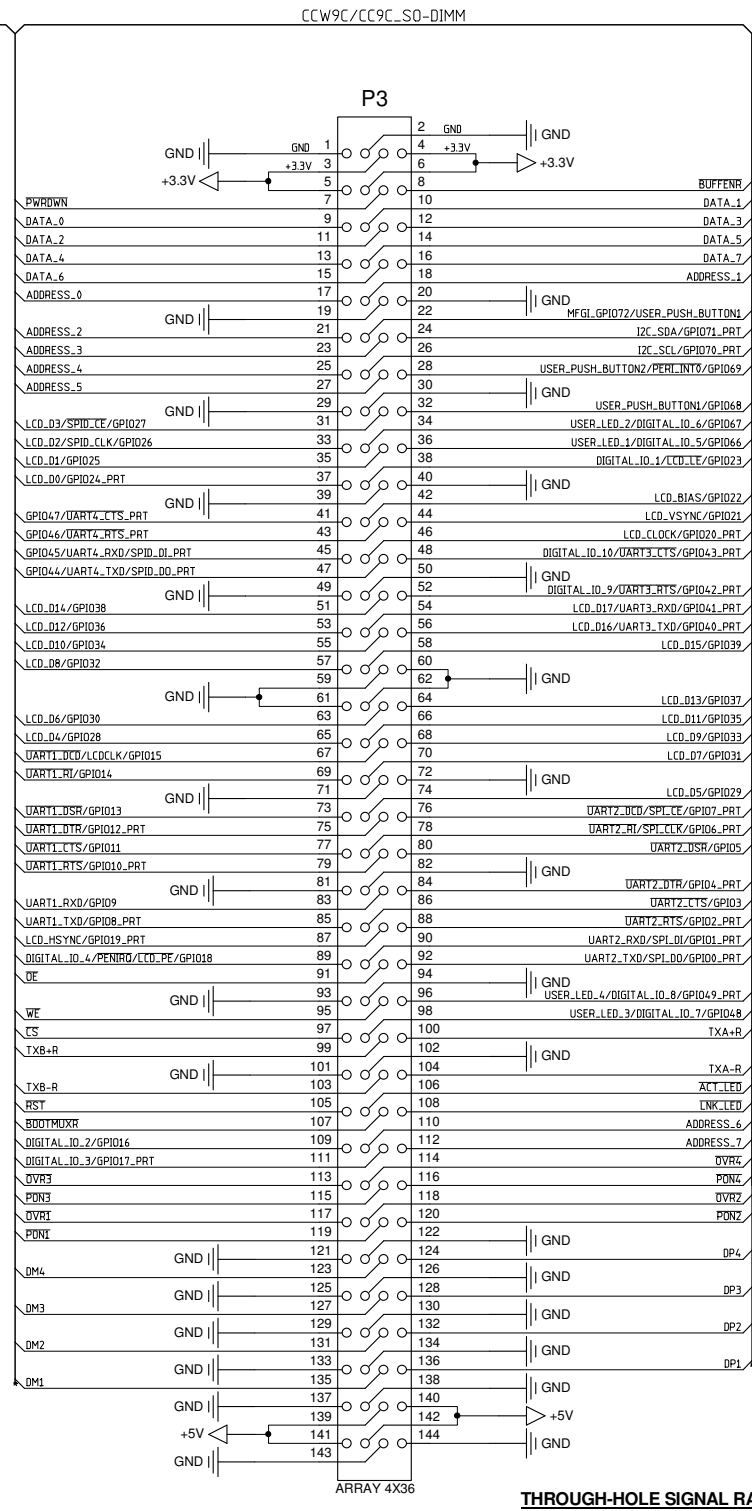
Bootstrapping : PLL Frequency Divider Select (GPIO2 - GPIO0)  
 Bootstrapping : PLL Frequency Divider Select (GPIO2 - GPIO0)  
 Bootstrapping : PLL Multiplier (GPIO17 - GPIO12 - GPIO10 - GPIO8 - GPIO4)  
 Bootstrapping : PLL Multiplier (GPIO17 - GPIO12 - GPIO10 - GPIO8 - GPIO4)  
 Bootstrapping : PLL Multiplier (GPIO17 - GPIO12 - GPIO10 - GPIO8 - GPIO4)  
 Bootstrapping : PLL Multiplier (GPIO17 - GPIO12 - GPIO10 - GPIO8 - GPIO4)  
 Bootstrapping : PLL Multiplier (GPIO17 - GPIO12 - GPIO10 - GPIO8 - GPIO4)  
 Bootstrapping : PLL active/disabled (GPIO19)

Bootstrapping : Boot Data Width (GPIO24 - GPIO20)  
 Bootstrapping : Boot Data Width (GPIO24 - GPIO20)  
 Bootstrapping : Little/Big Endian (GPIO44)  
 Bootstrapping : Chip Select 1 Polarity (GPIO49)



REV	ECO	DESCRIPTION OF CHANGE	BY	CKD	APPR	DATE
APPROVALS		DATE	<div style="text-align: center;"> <h1>Digi</h1> <h2>SO-DIMM CONNECTOR</h2> </div>			
DESIGNED		4/20/2010				
DRAWN		4/20/2010				
CHECKED		4/20/2010				
ENGINEER		4/20/2010				
2:14:47 PM 30009481-02revA1		SIZE <b>A3</b>	PART NO. 30009481-02		REV <b>A1</b>	
DO NOT SCALE DRAWING			SCALE: NTS		SHEET 02 of 11	

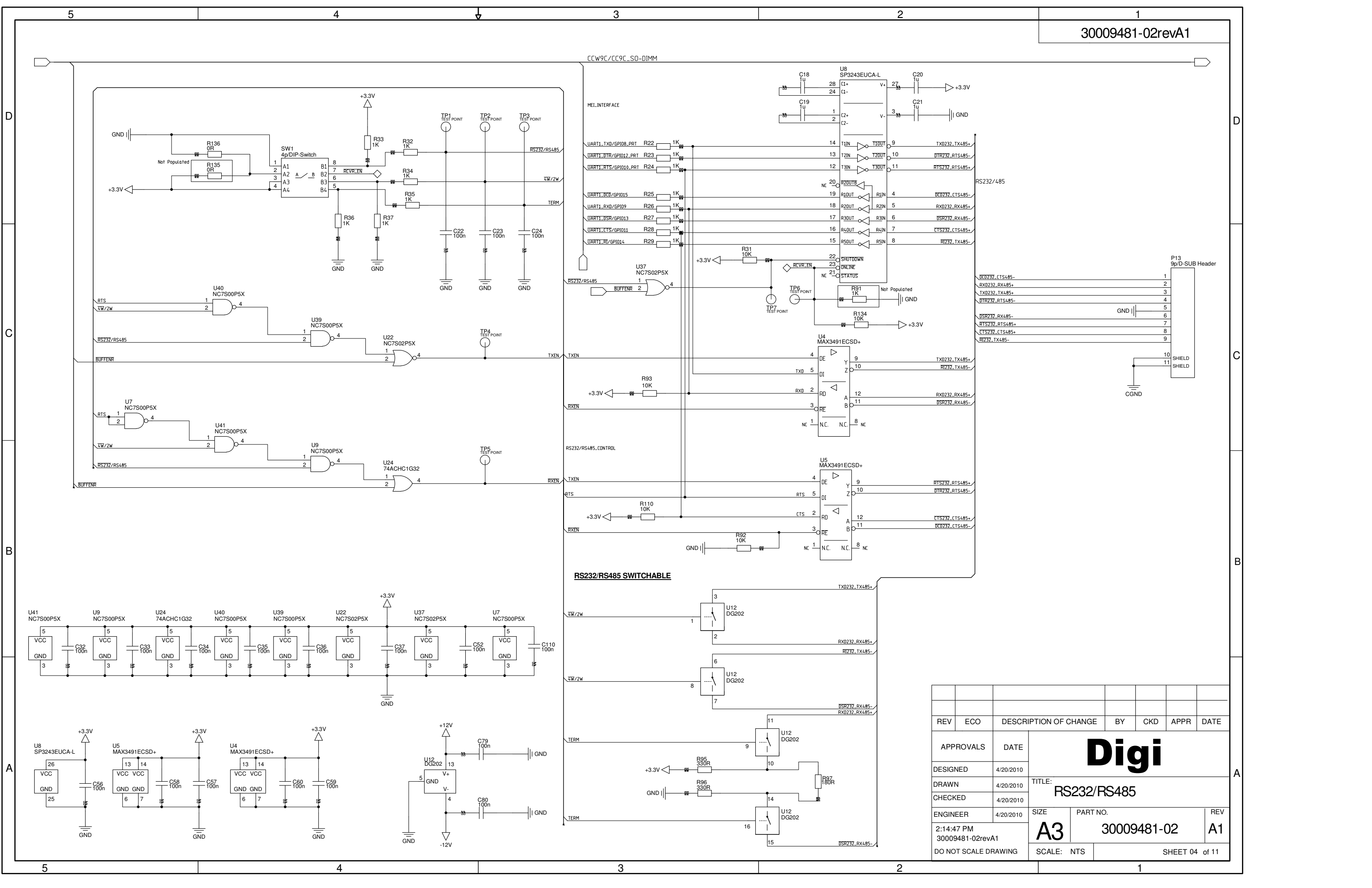
**CCW9C/CC9C SO-DIMM CONNECTOR**



1.8" x 3.5" WRAP FIELD AREA

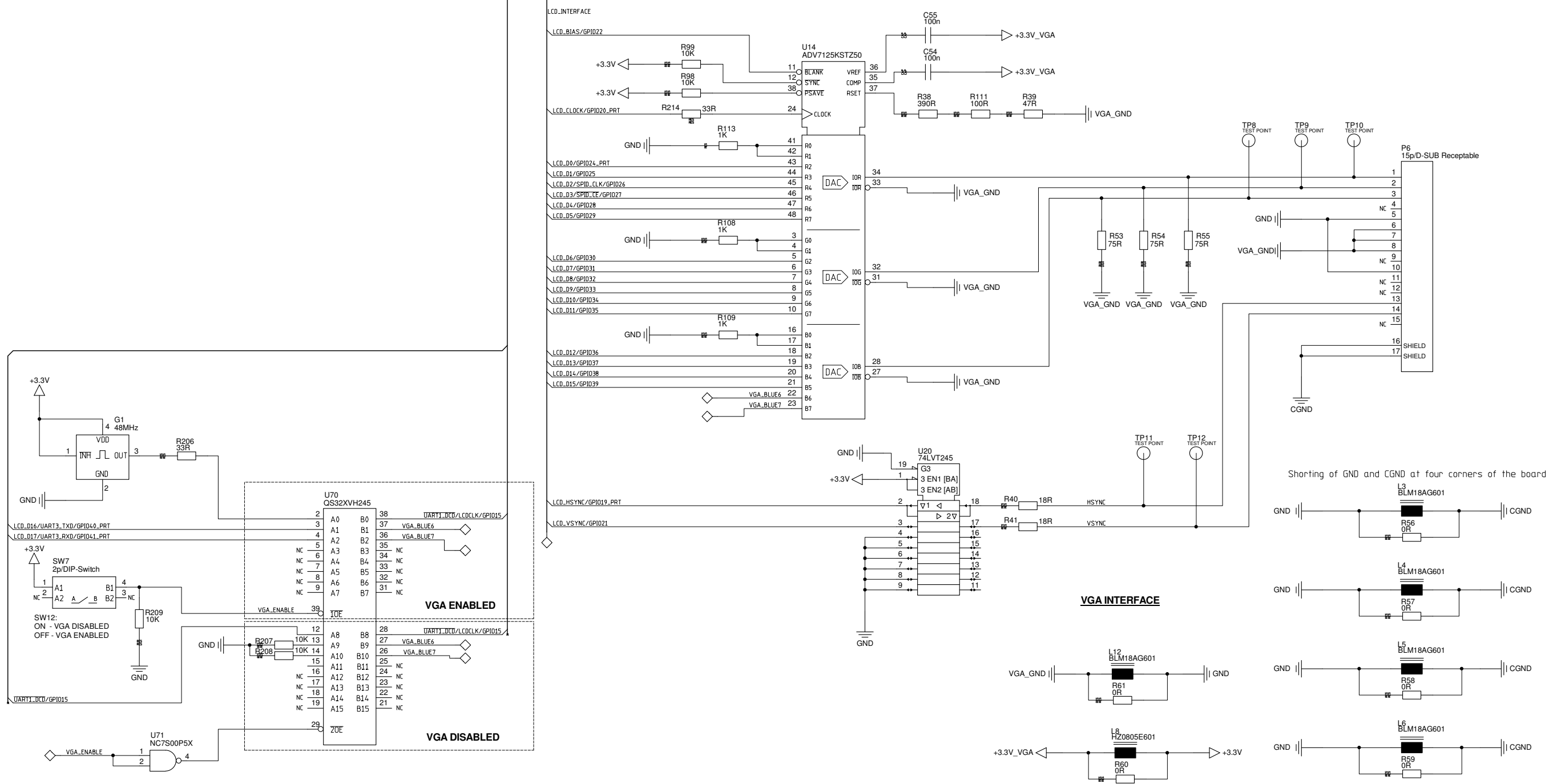
REV	ECO	DESCRIPTION OF CHANGE	BY	CKD	APPR	DATE		
APPROVALS		DATE	<div style="text-align: center; font-size: 2em; font-weight: bold;">Digi</div>					
DESIGNED	4/20/2010	TITLE:						
DRAWN	4/20/2010	WRAP FIELD						
CHECKED	4/20/2010	SIZE					PART NO.	REV
ENGINEER	4/20/2010	A3					30009481-02	A1
2:14:47 PM 30009481-02revA1		SCALE: NTS		SHEET 03 of 11				
DO NOT SCALE DRAWING								

CCW9C/CC9C\_S0-DIMM

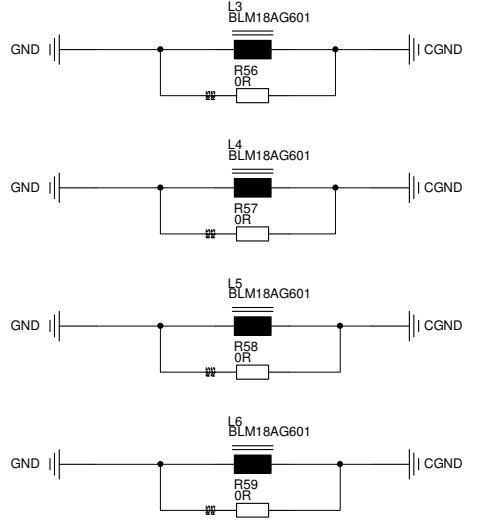


REV	ECO	DESCRIPTION OF CHANGE	BY	CKD	APPR	DATE
APPROVALS		DATE	<h1>Digi</h1> <p>TITLE: <b>RS232/RS485</b></p>			
DESIGNED		4/20/2010				
DRAWN		4/20/2010				
CHECKED		4/20/2010				
ENGINEER		4/20/2010	SIZE	PART NO.	REV	
2:14:47 PM			<b>A3</b>	30009481-02	A1	
DO NOT SCALE DRAWING			SCALE: NTS	SHEET 04 of 11		

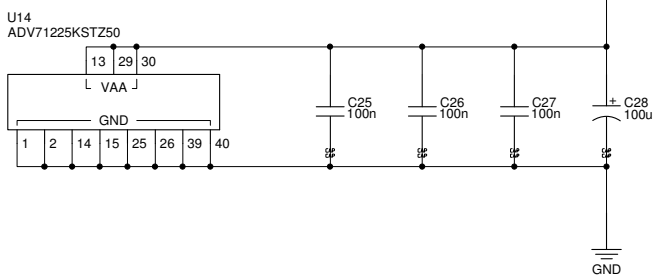
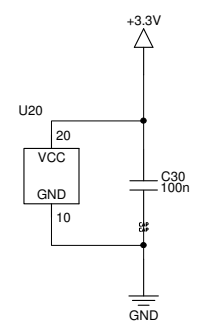
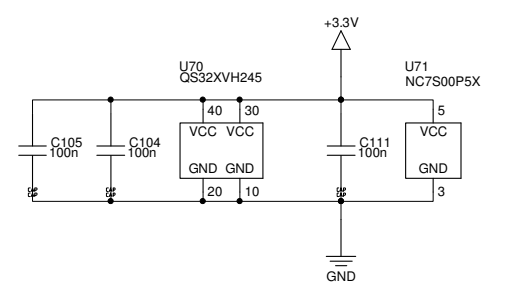
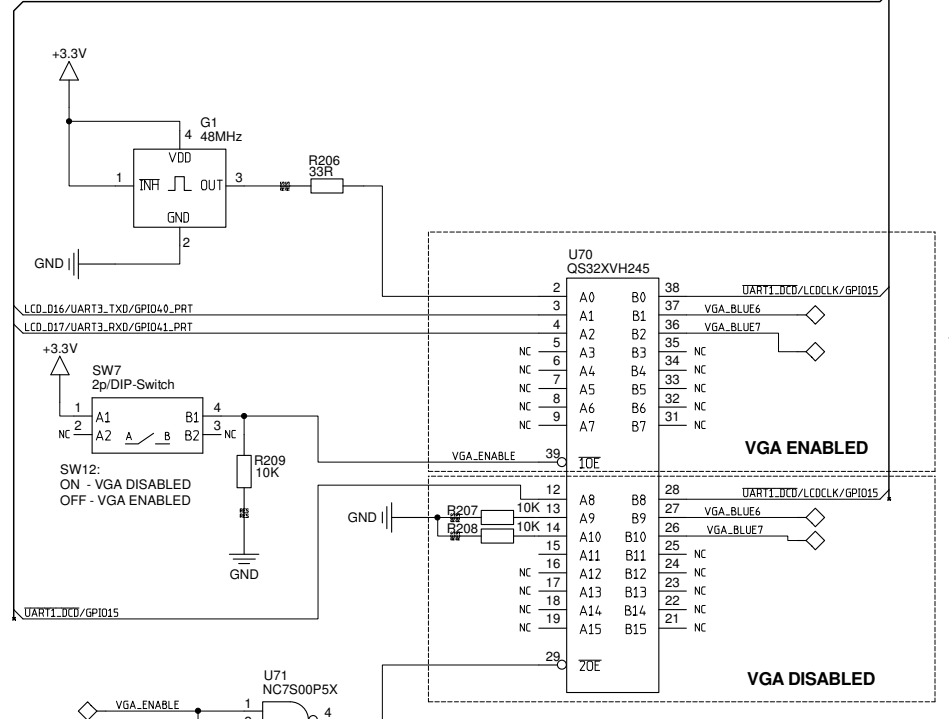
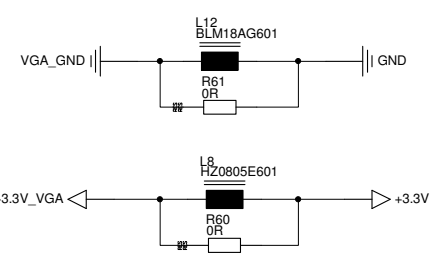
CCW9C/CC9C\_S0-DIMM



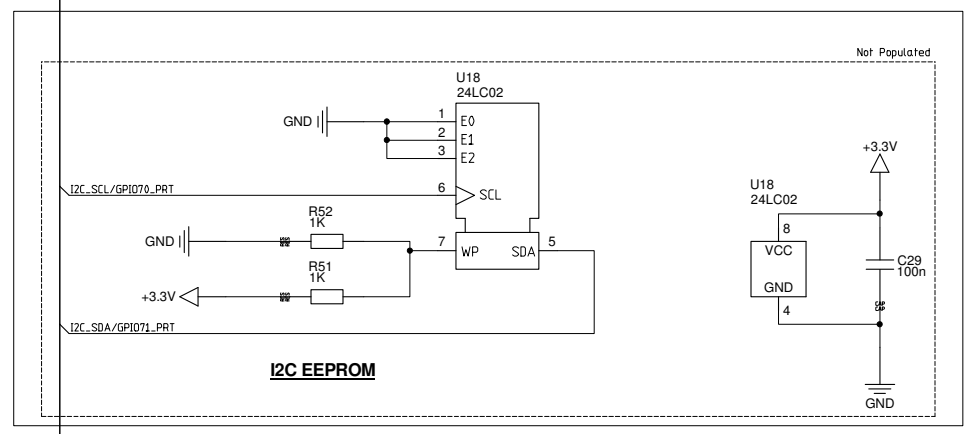
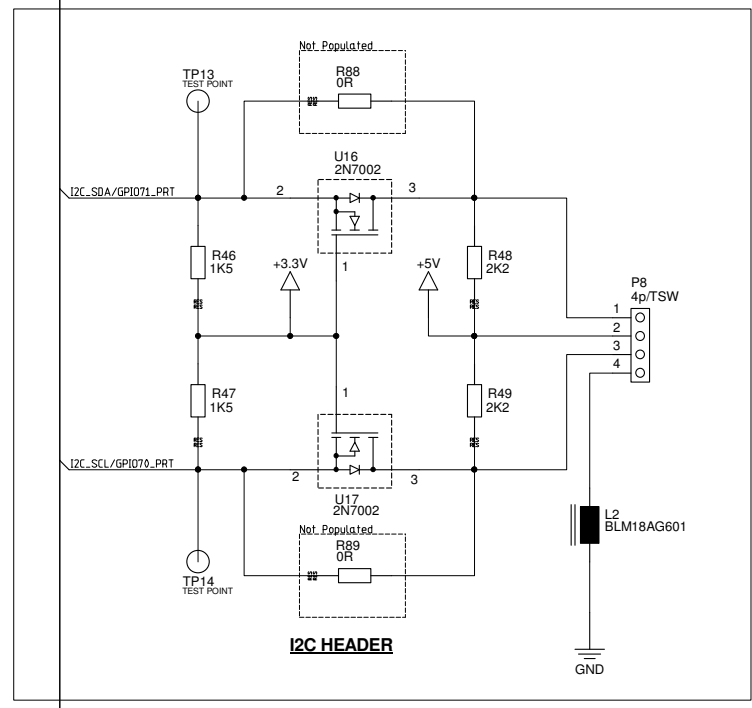
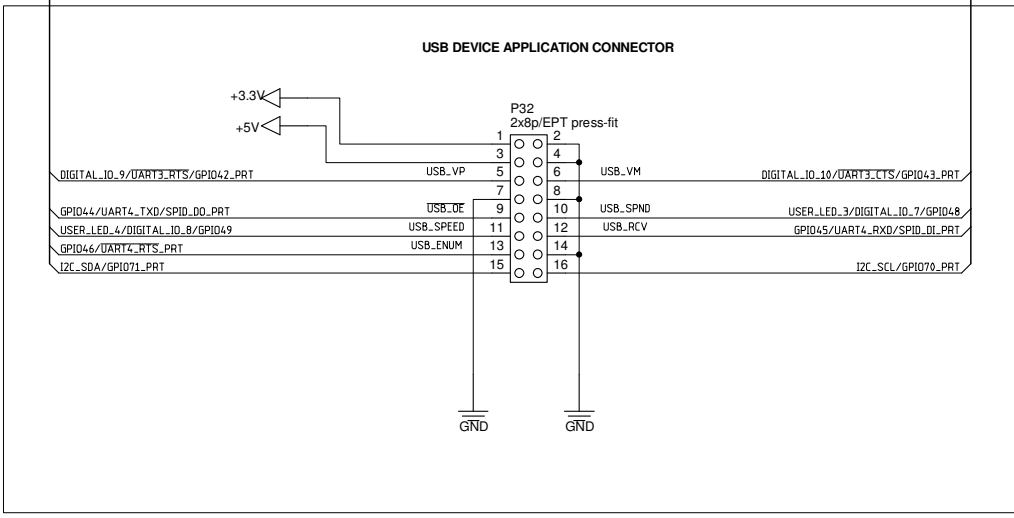
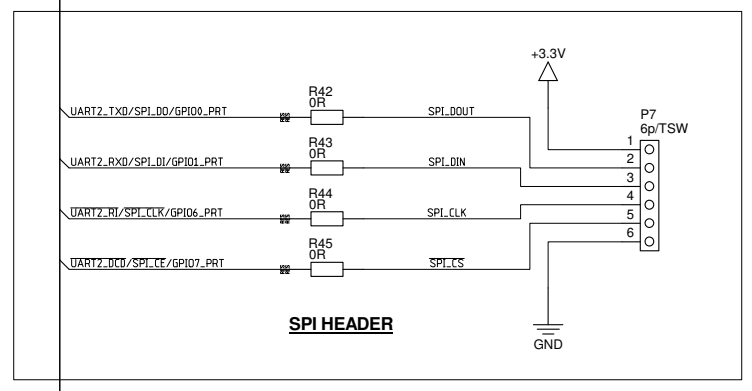
Shorting of GND and CGND at four corners of the board



**VGA INTERFACE**

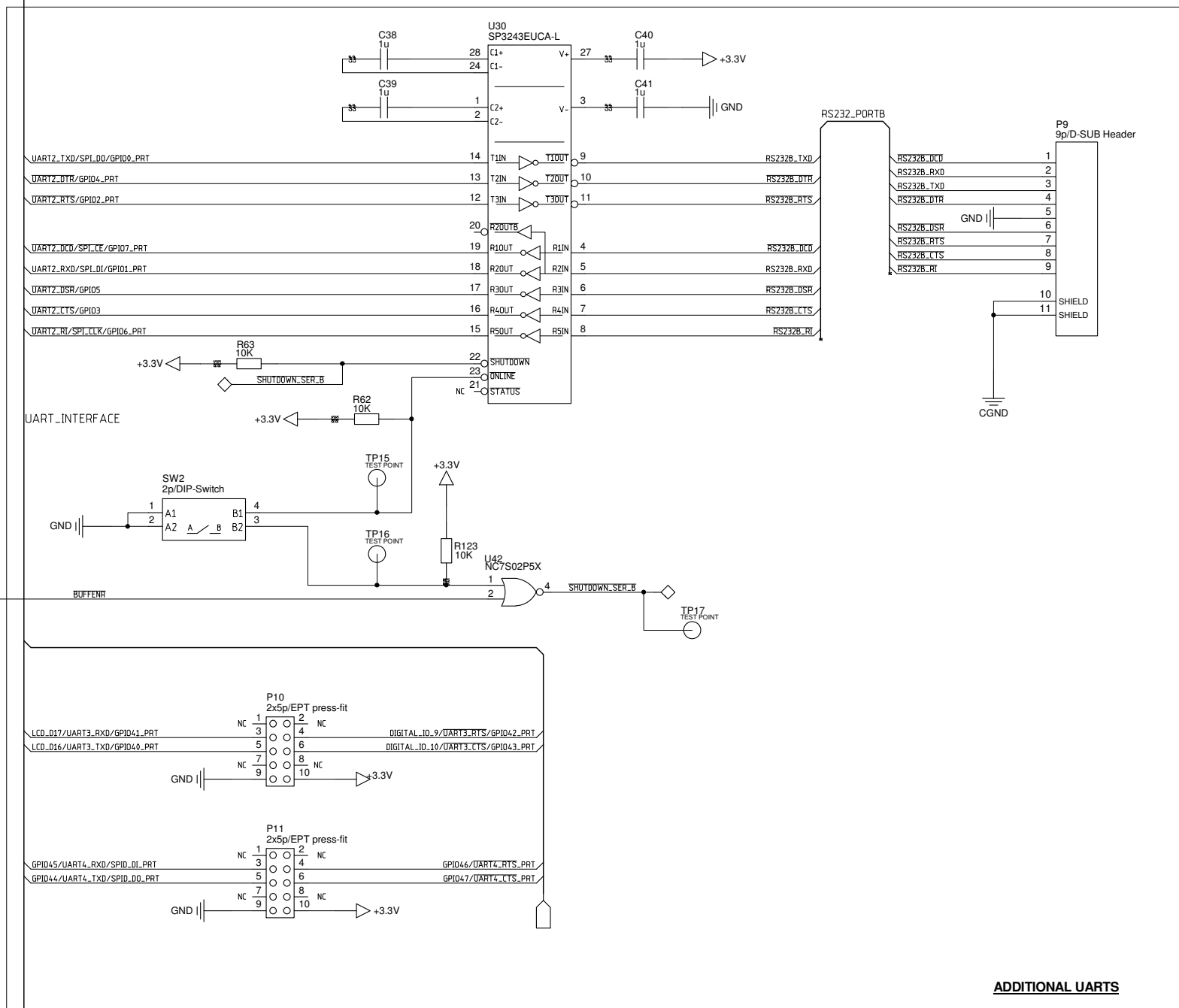


REV	ECO	DESCRIPTION OF CHANGE	BY	CKD	APPR	DATE
APPROVALS		DATE	<div style="text-align: center; font-size: 24pt; font-weight: bold;">Digi</div>			
DESIGNED	4/20/2010	TITLE:				
DRAWN	4/20/2010	VGA INTERFACE				
CHECKED	4/20/2010					
ENGINEER	4/20/2010	SIZE	PART NO.	REV		
2:14:47 PM 30009481-02revA1		<b>A3</b>	<b>30009481-02</b>	<b>A1</b>		
DO NOT SCALE DRAWING		SCALE: NTS	SHEET 05 of 11			

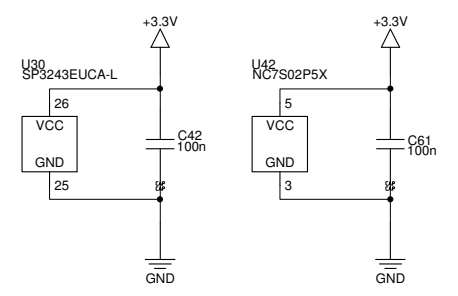


REV	ECO	DESCRIPTION OF CHANGE	BY	CKD	APPR	DATE
DESIGNED	4/20/2010	<div style="text-align: center;"> <h1>Digi</h1> <p>TITLE: I2C/SPI + USB DEVICE</p> </div>				
DRAWN	4/20/2010					
CHECKED	4/20/2010					
ENGINEER	4/20/2010					
2:14:47 PM 30009481-02revA1		SIZE: <b>A3</b>	PART NO.: 30009481-02		REV: <b>A1</b>	
DO NOT SCALE DRAWING		SCALE: NTS	SHEET 06 of 11			

CCW9C/CC9C\_S0-DIMM



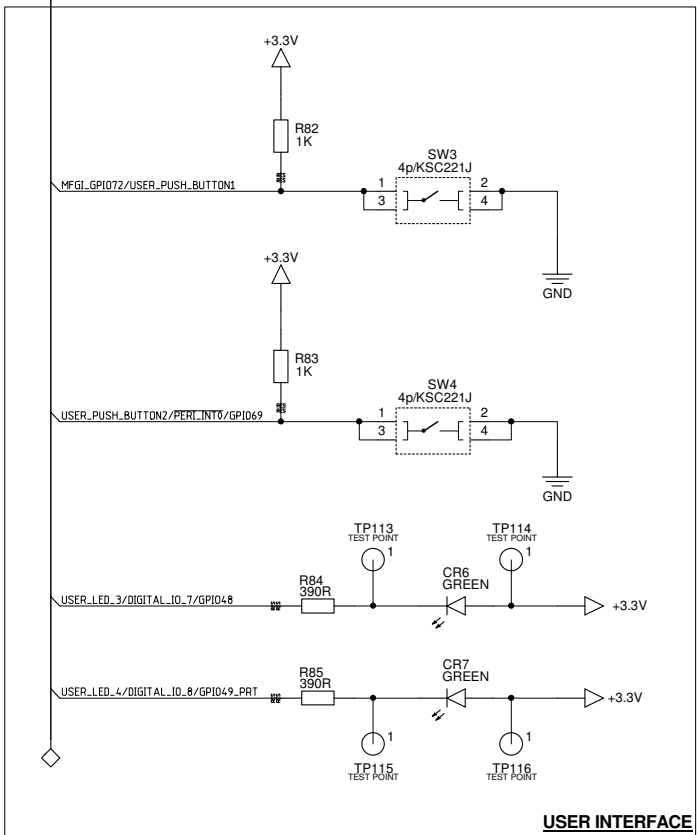
ADDITIONAL UARTS



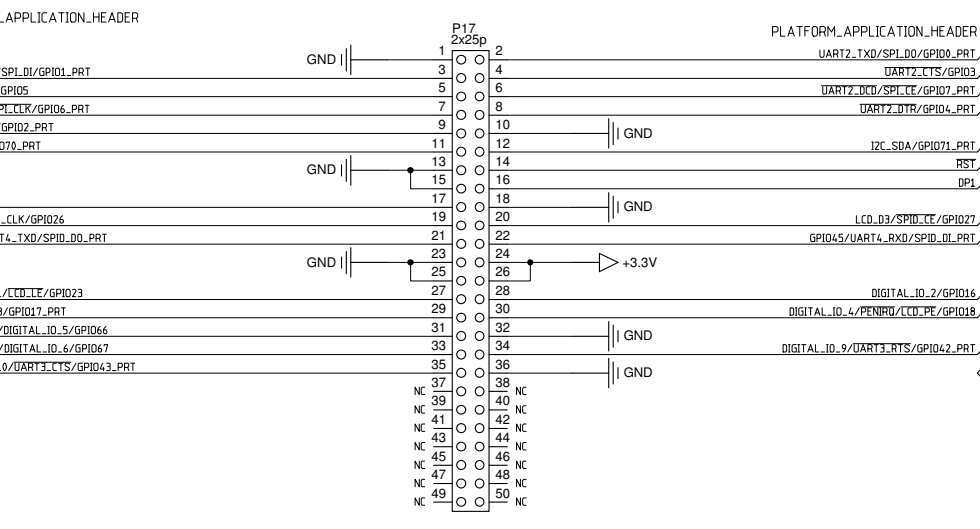
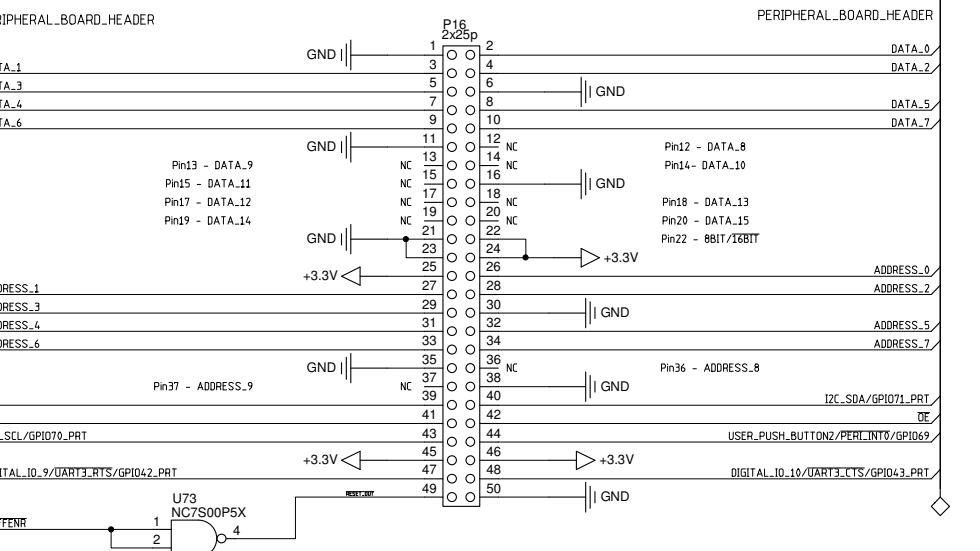
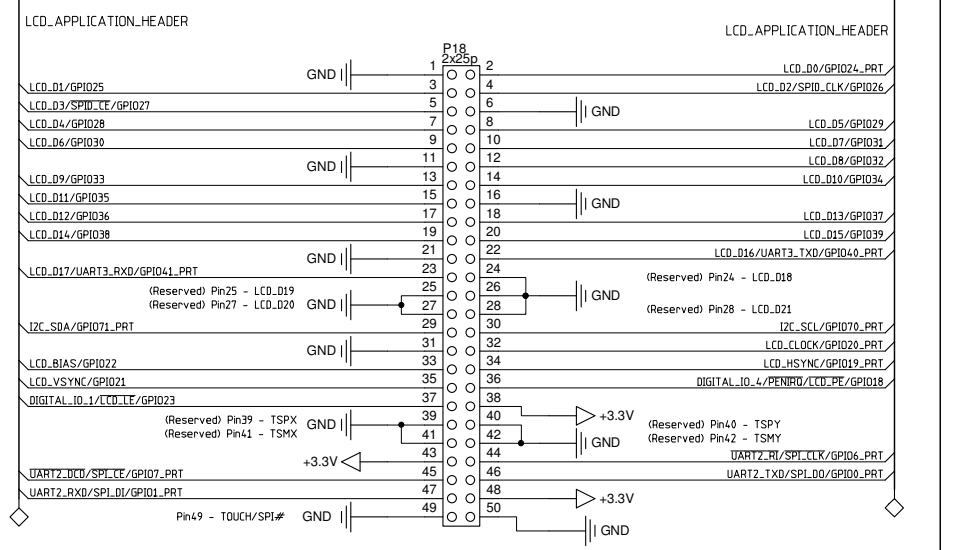
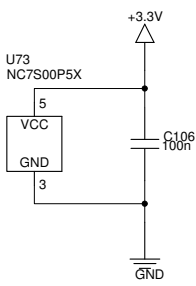
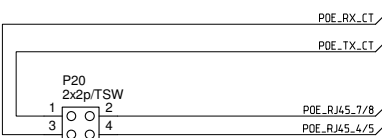
REV	ECO	DESCRIPTION OF CHANGE	BY	CKD	APPR	DATE
APPROVALS		DATE				
DESIGNED	4/20/2010	TITLE:				
DRAWN	4/20/2010	Additional UARTs				
CHECKED	4/20/2010					
ENGINEER	4/20/2010					
2:14:47 PM 30009481-02revA1		SIZE	PART NO.	REV		
DO NOT SCALE DRAWING		A3	30009481-02	A1		
		SCALE: NTS	SHEET 07 of 11			

CCW9C/CC9C\_SO-DIMM

USER\_INTERFACE



USER INTERFACE

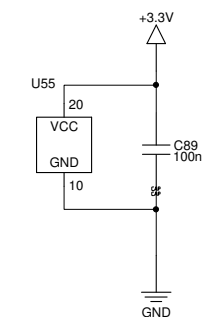
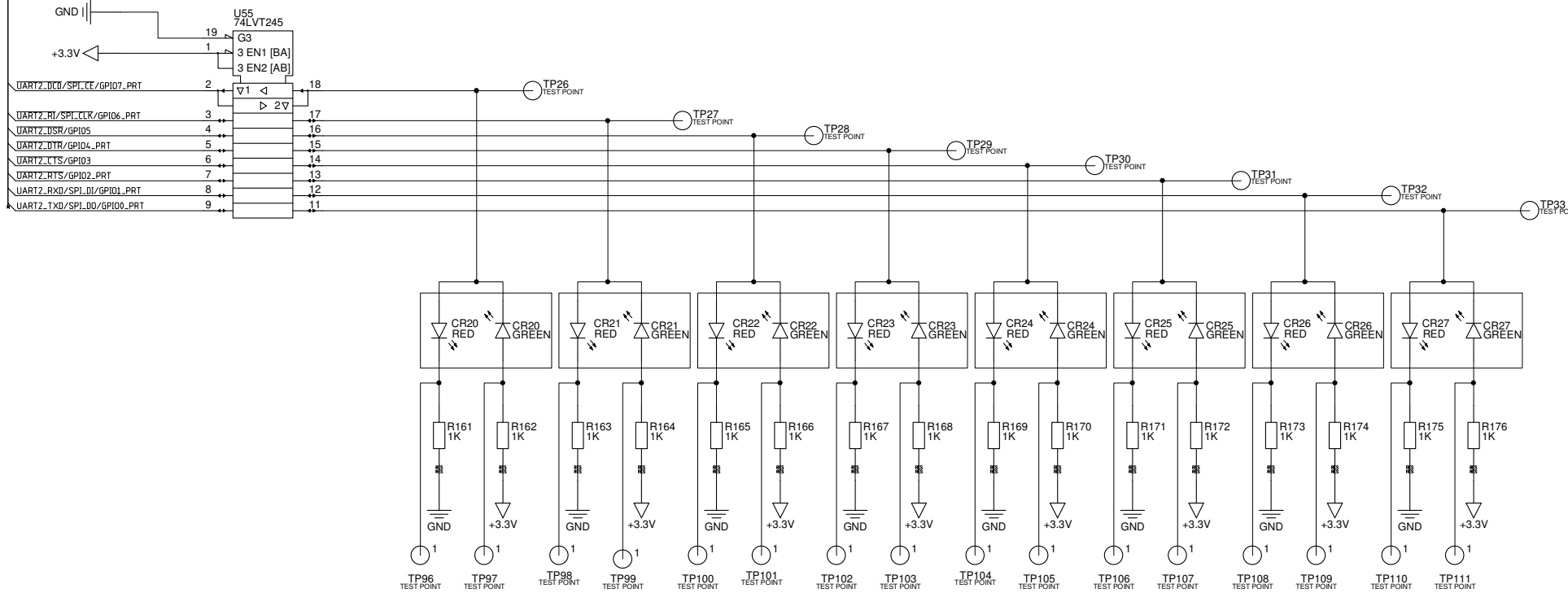
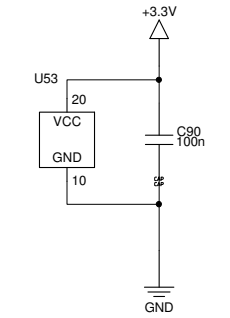
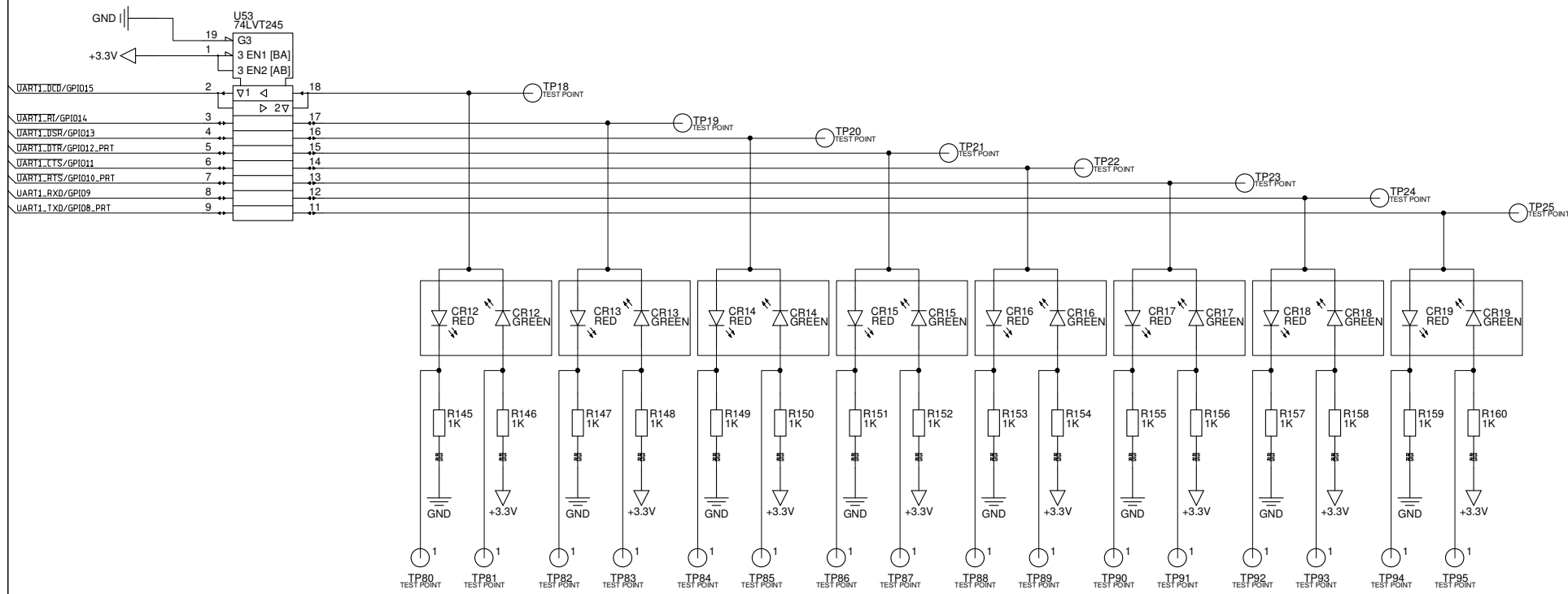


REV	ECO	DESCRIPTION OF CHANGE	BY	CKD	APPR	DATE

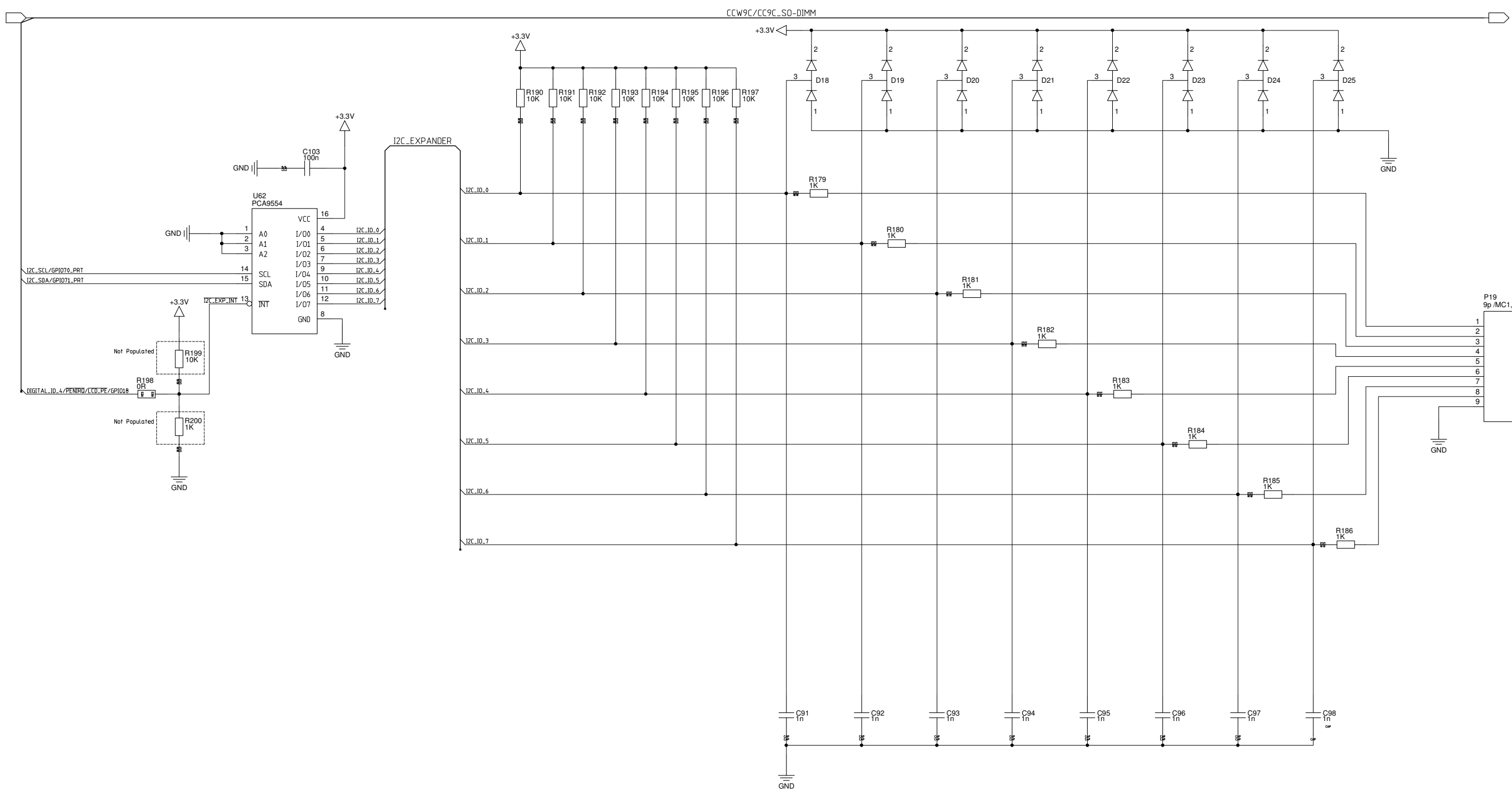
  

APPROVALS	DATE	<h1>Digi</h1>
DESIGNED	4/20/2010	
DRAWN	4/20/2010	
CHECKED	4/20/2010	TITLE: <b>USER INTERFACE + EXPANSION CONNECTORS</b>
ENGINEER	4/20/2010	SIZE: <b>A3</b> PART NO. <b>30009481-02</b> REV: <b>A1</b>
1:32:51 PM 30009481-02revA1		DO NOT SCALE DRAWING
SCALE: NTS		SHEET 08 of 11

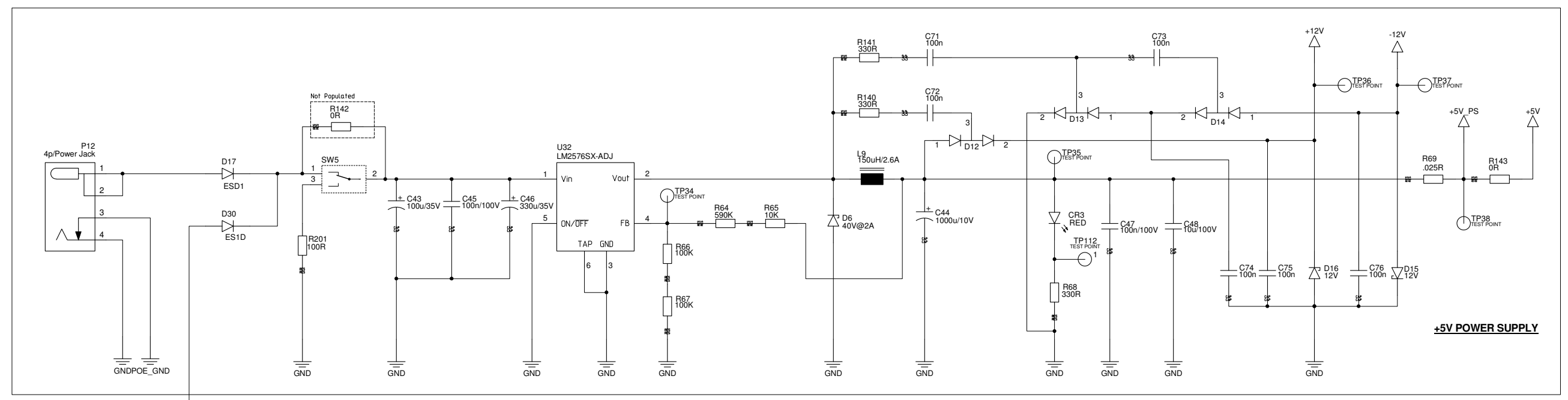




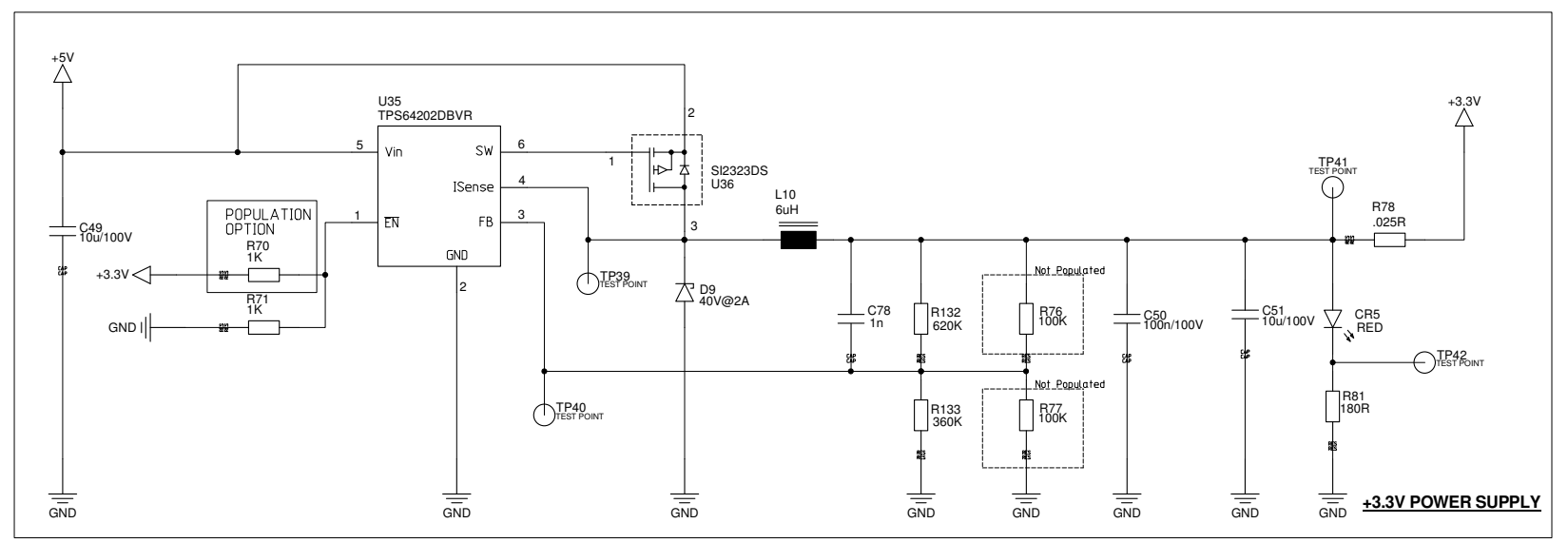
REV	ECO	DESCRIPTION OF CHANGE	BY	CKD	APPR	DATE
APPROVALS		DATE	<h1>Digi</h1> <p>TITLE: Buffers &amp; LEDs for Serial Ports</p> <p>SIZE: <b>A3</b>    PART NO.: <b>30009481-02</b>    REV: <b>A1</b></p> <p>SCALE: NTS    SHEET 09 of 11</p>			
DESIGNED	4/20/2010					
DRAWN	4/20/2010					
CHECKED	4/20/2010					
ENGINEER	4/20/2010					
1:32:51 PM 30009481-02revA1		DO NOT SCALE DRAWING				



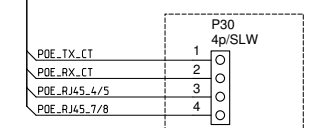
REV	ECO	DESCRIPTION OF CHANGE	BY	CKD	APPR	DATE
APPROVALS		DATE	<h1>Digi</h1> <p>TITLE: <b>DIGITAL I/Os</b></p> <p>SIZE: <b>A3</b>    PART NO. <b>30009481-02</b>    REV <b>A1</b></p> <p>SCALE: NTS    SHEET 10 of 11</p>			
DESIGNED	4/20/2010					
DRAWN	4/20/2010					
CHECKED	4/20/2010					
ENGINEER	4/20/2010					
1:32:51 PM 30009481-02revA1		DO NOT SCALE DRAWING				



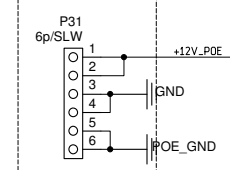
**+5V POWER SUPPLY**



**+3.3V POWER SUPPLY**



Respect 2kV isolation



**IEEE802.3af PoE Module**

REV	ECO	DESCRIPTION OF CHANGE	BY	CKD	APPR	DATE
APPROVALS		DATE	<div style="text-align: center; font-size: 2em; font-weight: bold;">Digi</div> <p><b>POWER SUPPLIES + POE</b></p>			
DESIGNED		4/20/2010				
DRAWN		4/20/2010				
CHECKED		4/20/2010				
ENGINEER		4/20/2010				
1:32:51 PM 30009481-02revA1		<div style="font-size: 1.5em; font-weight: bold;">A3</div>		PART NO. <div style="font-size: 1.2em; font-weight: bold;">30009481-02</div>		REV <div style="font-size: 1.2em; font-weight: bold;">A1</div>
DO NOT SCALE DRAWING			SCALE: NTS		SHEET 11 of 11	