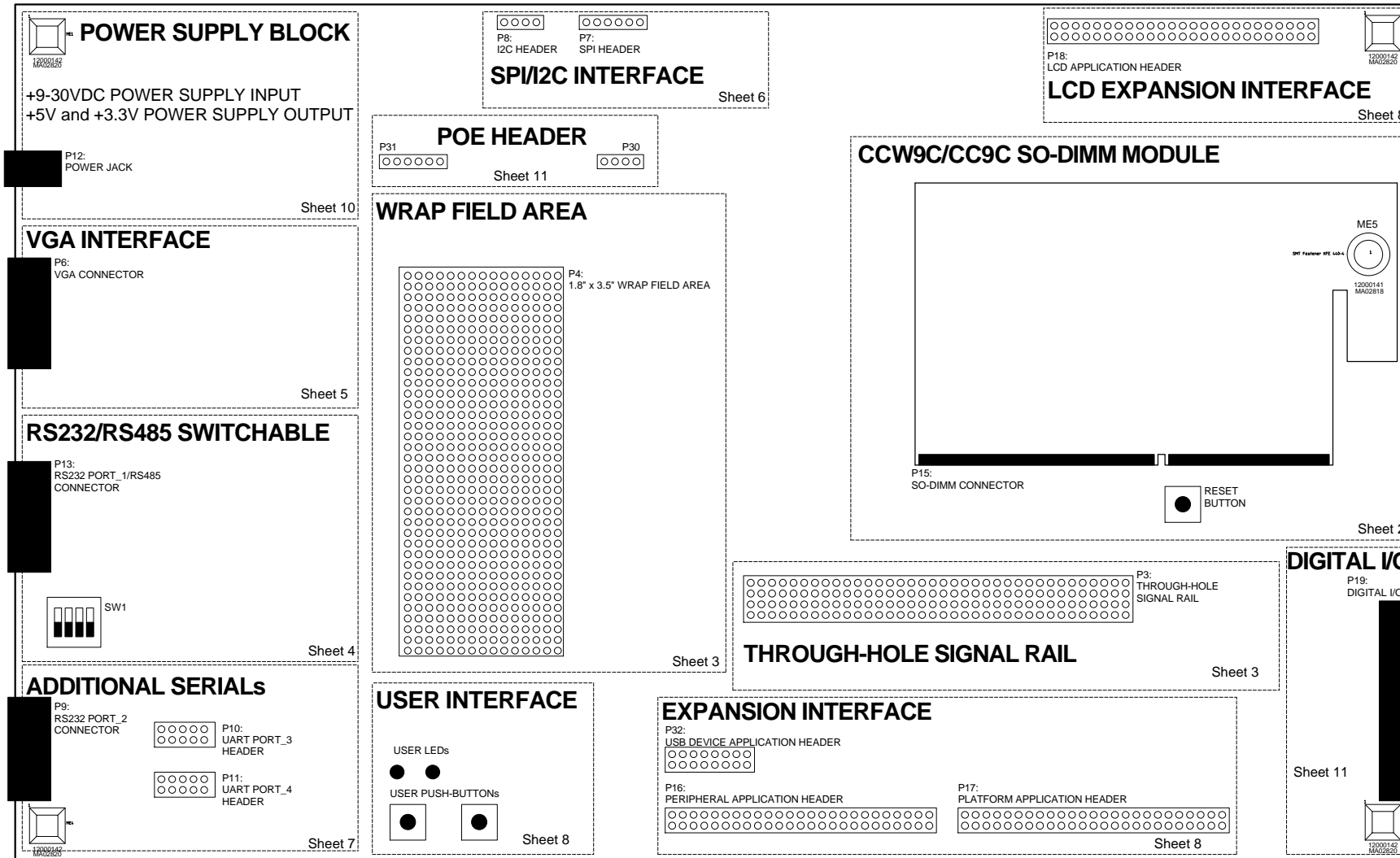


ConnectCore Wi-9C and ConnectCore 9C Development Board



Page 1	TABLE OF CONTENTS
Page 2	CCW9C/CC9C SO-DIMM CONNECTOR
Page 3	THROUGH-HOLE SIGNAL RAILS + 1.8" x 3.5" WRAP FIELD AREA
Page 4	RS232/RS485 Serial Port
Page 5	VGA
Page 6	I2C and SPI Interface, USB Device application header
Page 7	Additional UARTs
Page 8	User Interface + Expansion Interface
Page 9	Buffers & LEDs for Serial Ports
Page 10	Digital I/Os
Page 11	Power Supplies, POE module

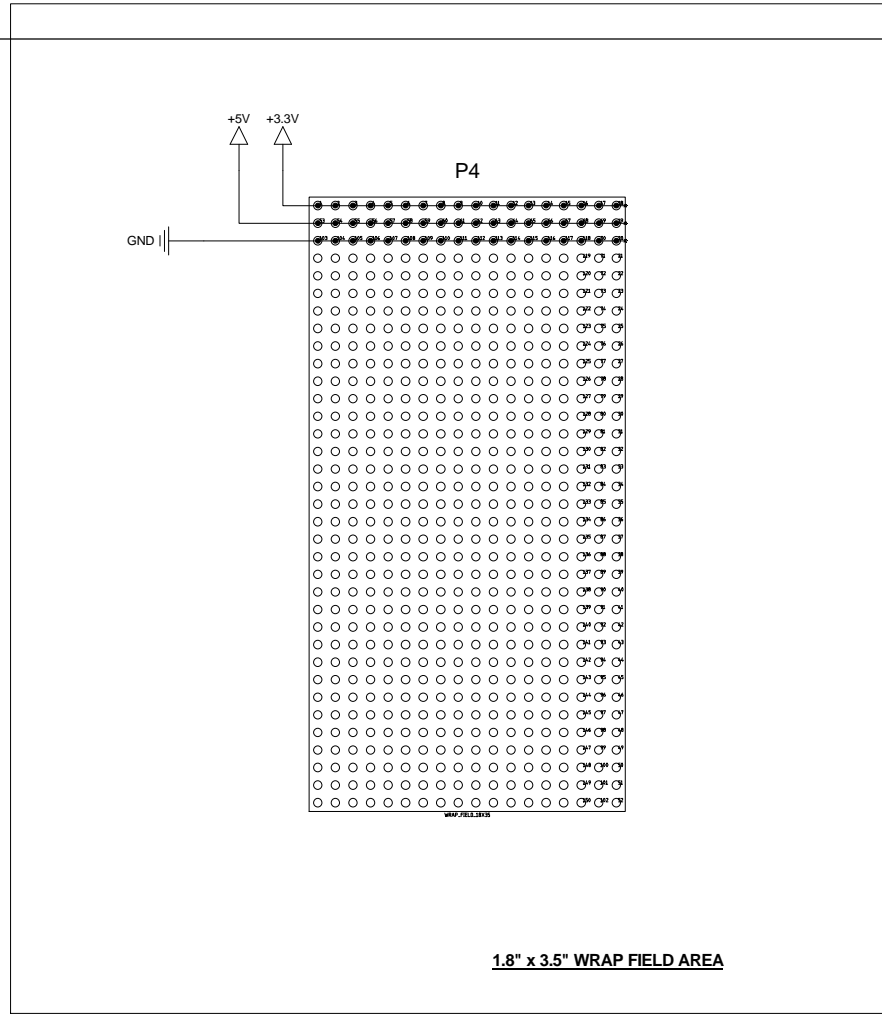
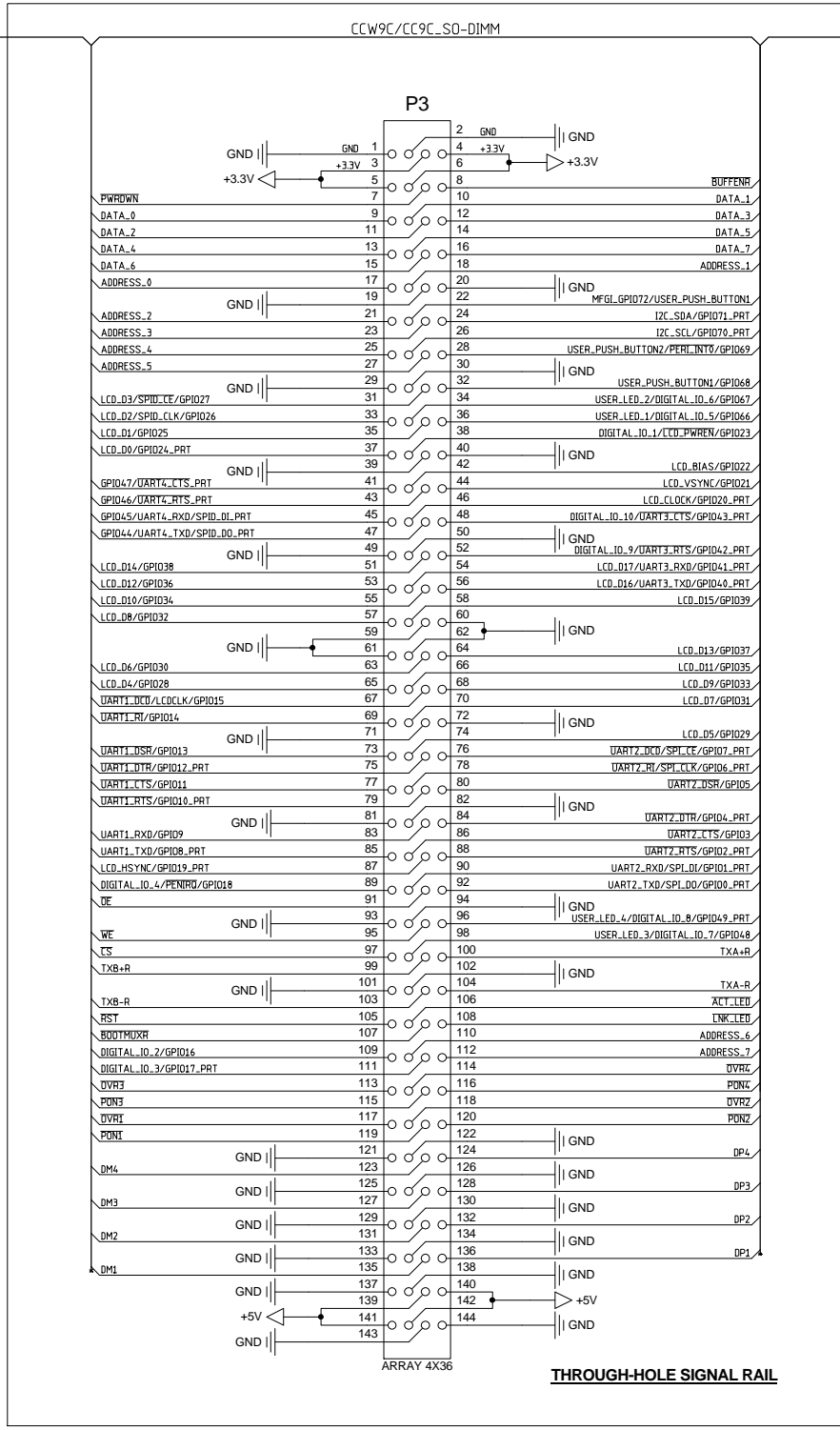
REV	ECO	DESCRIPTION OF CHANGE	BY	CKD	APPR	DATE
DESIGNED		11/28/2006				
DRAWN		11/28/2006				
CHECKED		11/28/2006				
ENGINEER		11/28/2006				
10:59:42 AM CCW9C_LC_3						
DO NOT SCALE DRAWING						

Digi

TITLE: **TABLE OF CONTENTS**

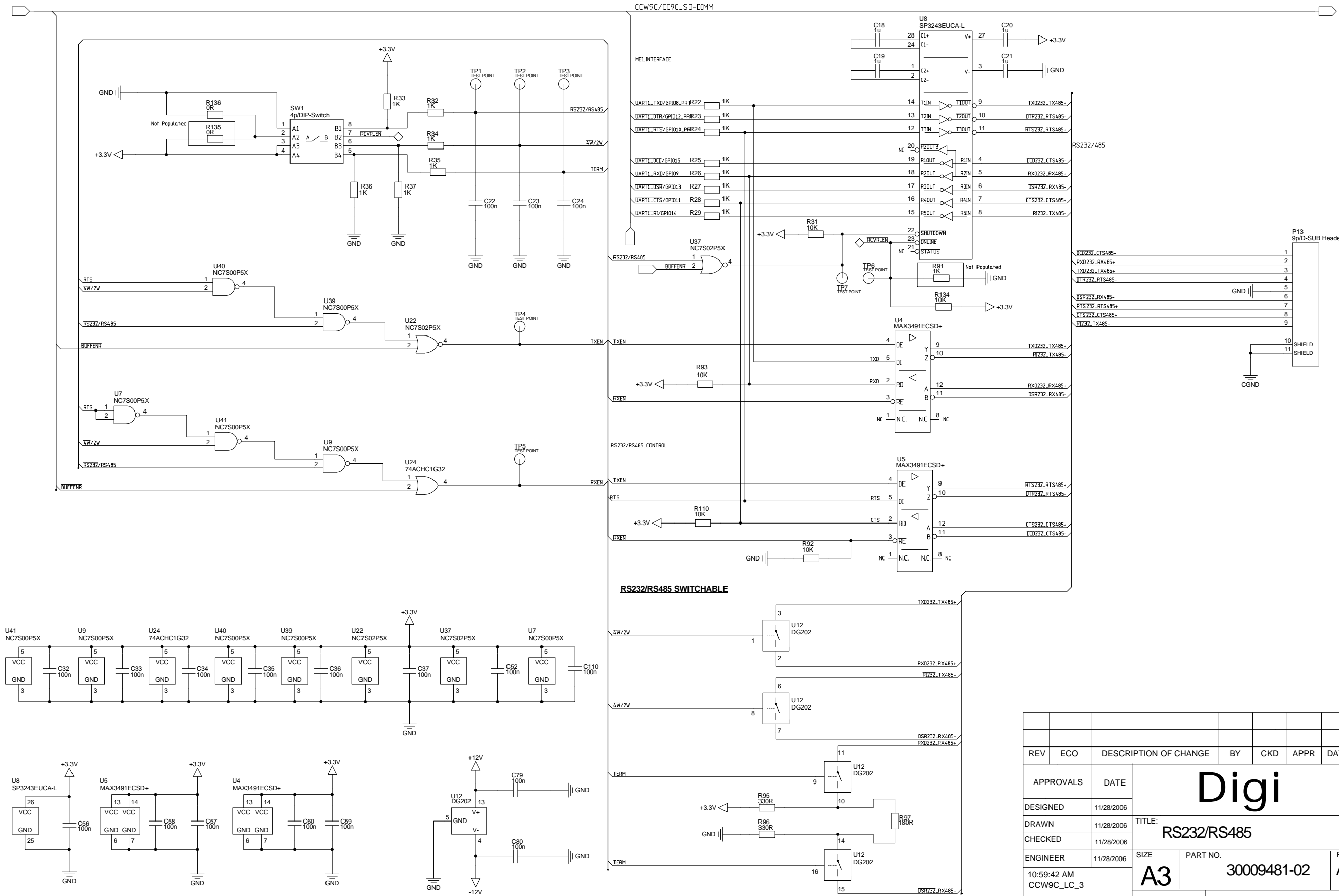
SIZE: **A3** PART NO.: **30009481-02** REV: **A**

SCALE: NTS SHEET 01 of 11



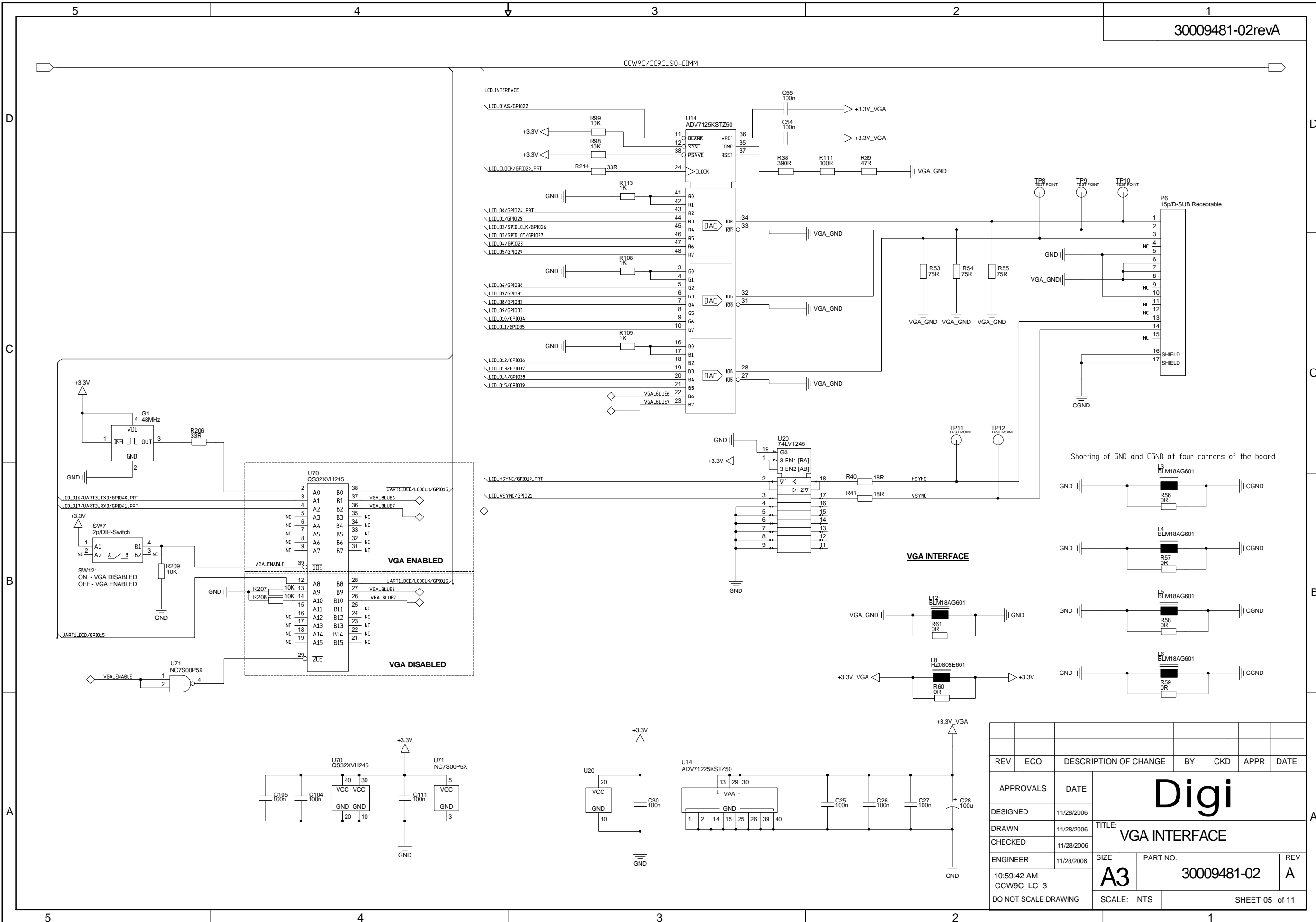
REV	ECO	DESCRIPTION OF CHANGE	BY	CKD	APPR	DATE
DESIGNED						11/28/2006
DRAWN						11/28/2006
CHECKED						11/28/2006
ENGINEER						11/28/2006
10:59:42 AM CCW9C_LC_3						
DO NOT SCALE DRAWING						

APPROVALS	DATE	<h1>Digi</h1> <p>TITLE: WRAP FIELD</p>		
DESIGNED	11/28/2006			
DRAWN	11/28/2006			
CHECKED	11/28/2006			
ENGINEER	11/28/2006	SIZE	PART NO.	REV
		A3	30009481-02	A
		SCALE: NTS	SHEET 03 of 11	



REV	ECO	DESCRIPTION OF CHANGE	BY	CKD	APPR	DATE
APPROVALS		DATE	<h1>Digi</h1> <p>TITLE: RS232/RS485</p> <p>SIZE: A3 PART NO. 30009481-02 REV A</p> <p>SCALE: NTS SHEET 04 of 11</p>			
DESIGNED		11/28/2006				
DRAWN		11/28/2006				
CHECKED		11/28/2006				
ENGINEER		11/28/2006				
DO NOT SCALE DRAWING						

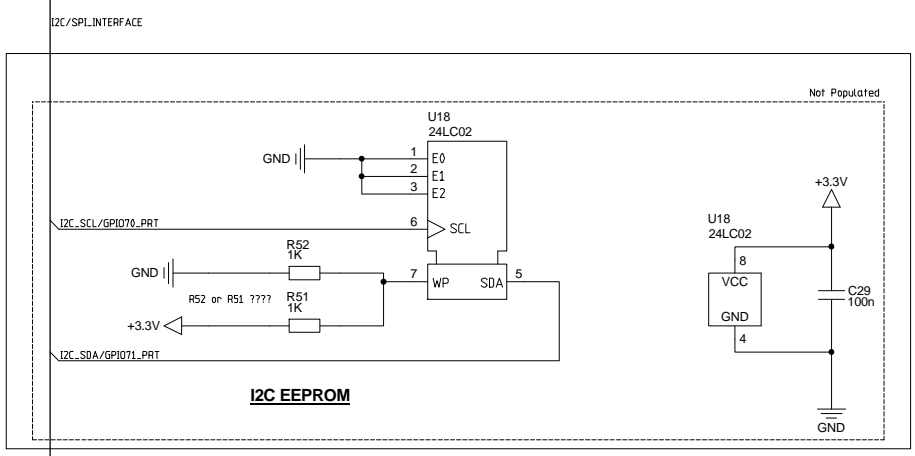
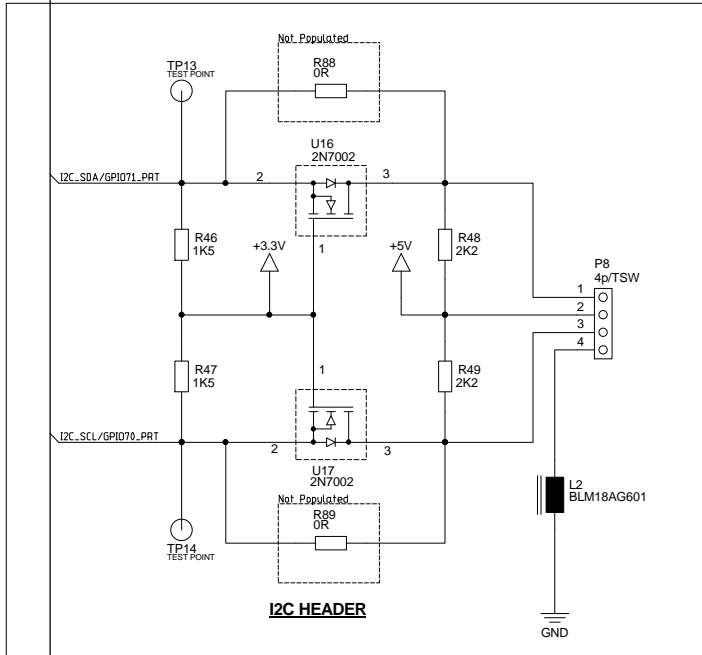
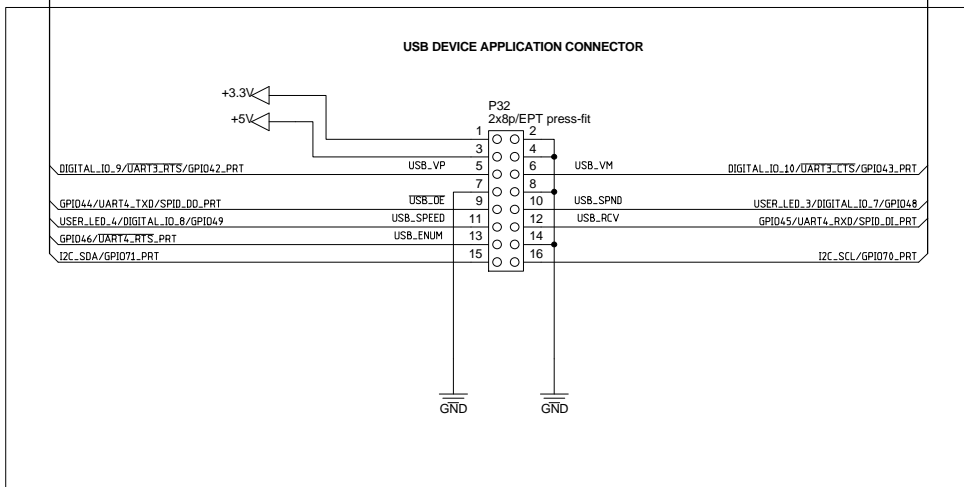
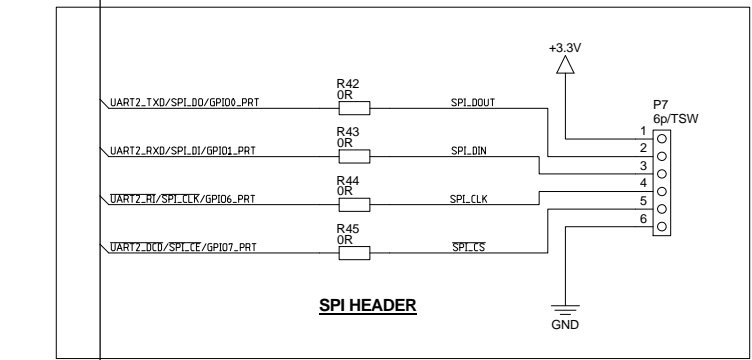
CCW9C/CC9C_S0-DIMM



Shorting of GND and CGND at four corners of the board

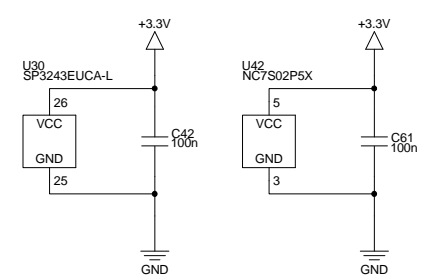
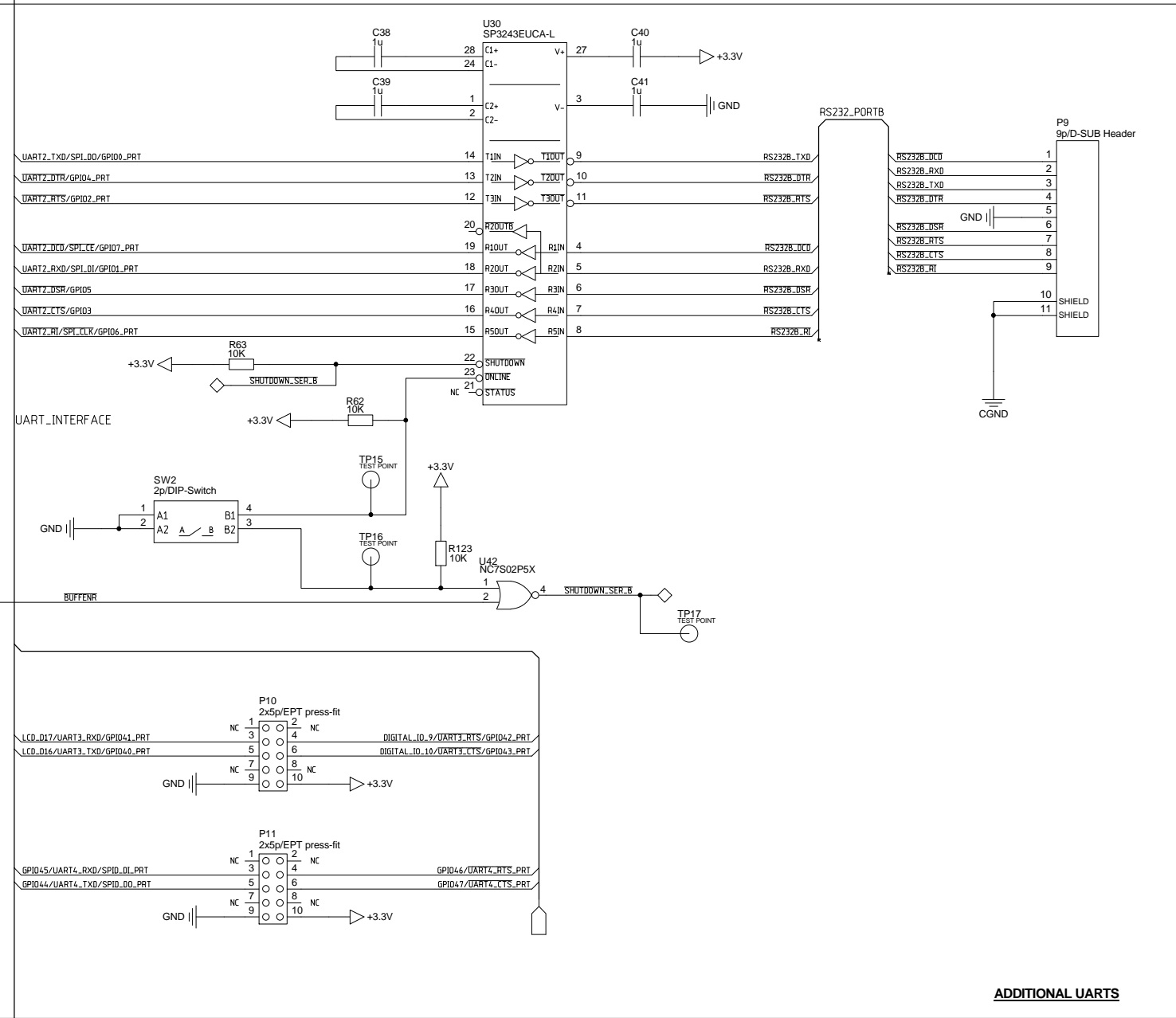
REV	ECO	DESCRIPTION OF CHANGE	BY	CKD	APPR	DATE

APPROVALS	DATE	<h1>Digi</h1>		
DESIGNED	11/28/2006			
DRAWN	11/28/2006			
CHECKED	11/28/2006			
ENGINEER	11/28/2006	TITLE: VGA INTERFACE		
10:59:42 AM CCW9C_LC_3		SIZE: A3	PART NO.: 30009481-02	REV: A
DO NOT SCALE DRAWING		SCALE: NTS	SHEET 05 of 11	



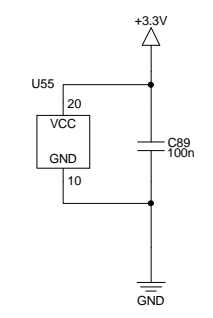
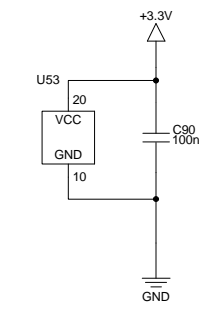
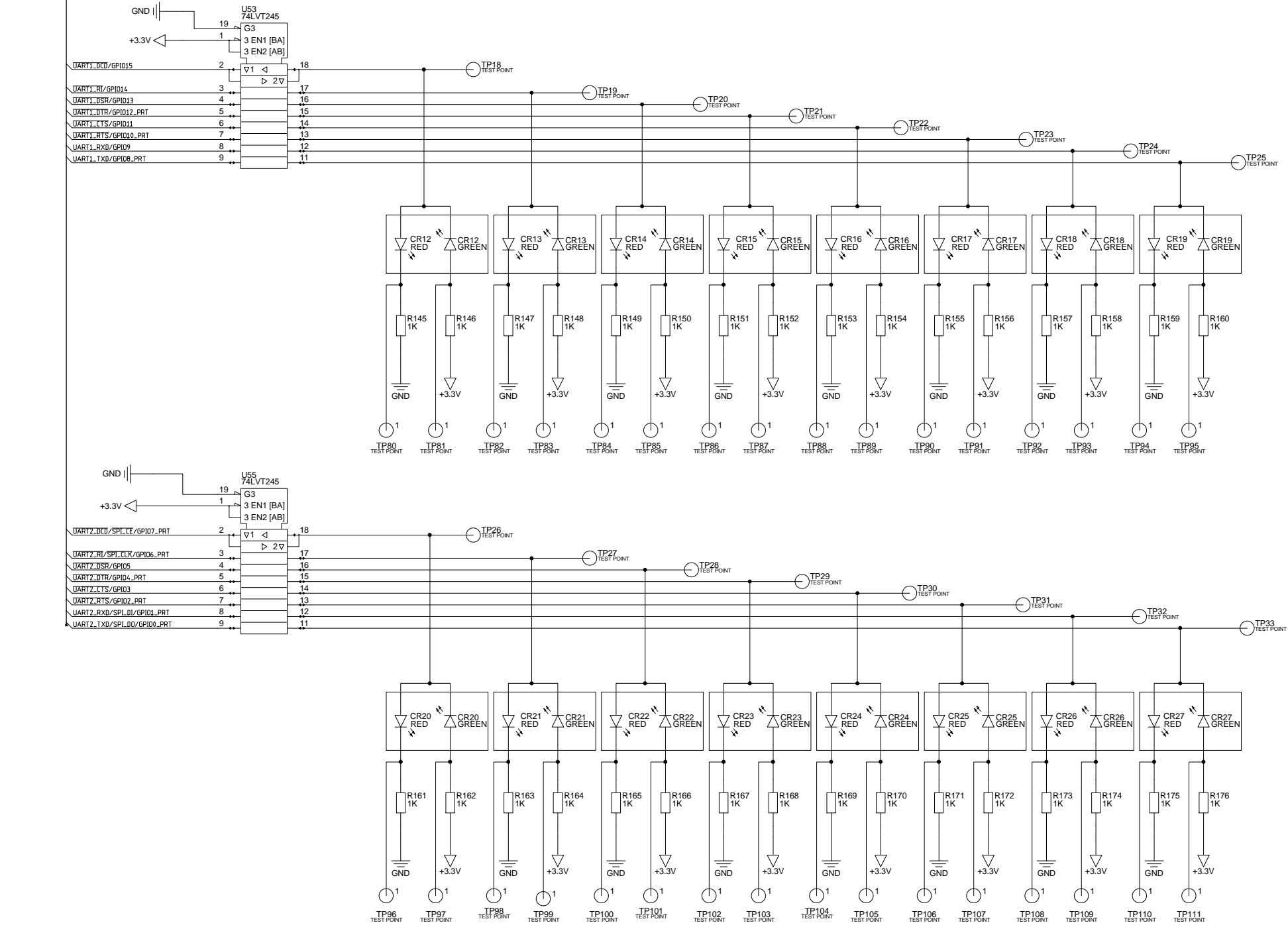
REV	ECO	DESCRIPTION OF CHANGE	BY	CKD	APPR	DATE
APPROVALS		DATE	<div style="text-align: center;"> <h1>Digi</h1> <p>TITLE: I2C/SPI + USB DEVICE</p> <p>SIZE: A3 PART NO.: 30009481-02 REV: A</p> <p>SCALE: NTS SHEET 06 of 11</p> </div>			
DESIGNED		11/28/2006				
DRAWN		11/28/2006				
CHECKED		11/28/2006				
ENGINEER		11/28/2006				
10:59:42 AM CCW9C_LC_3						
DO NOT SCALE DRAWING						

CCW9C/CC9C_S0-DIMM



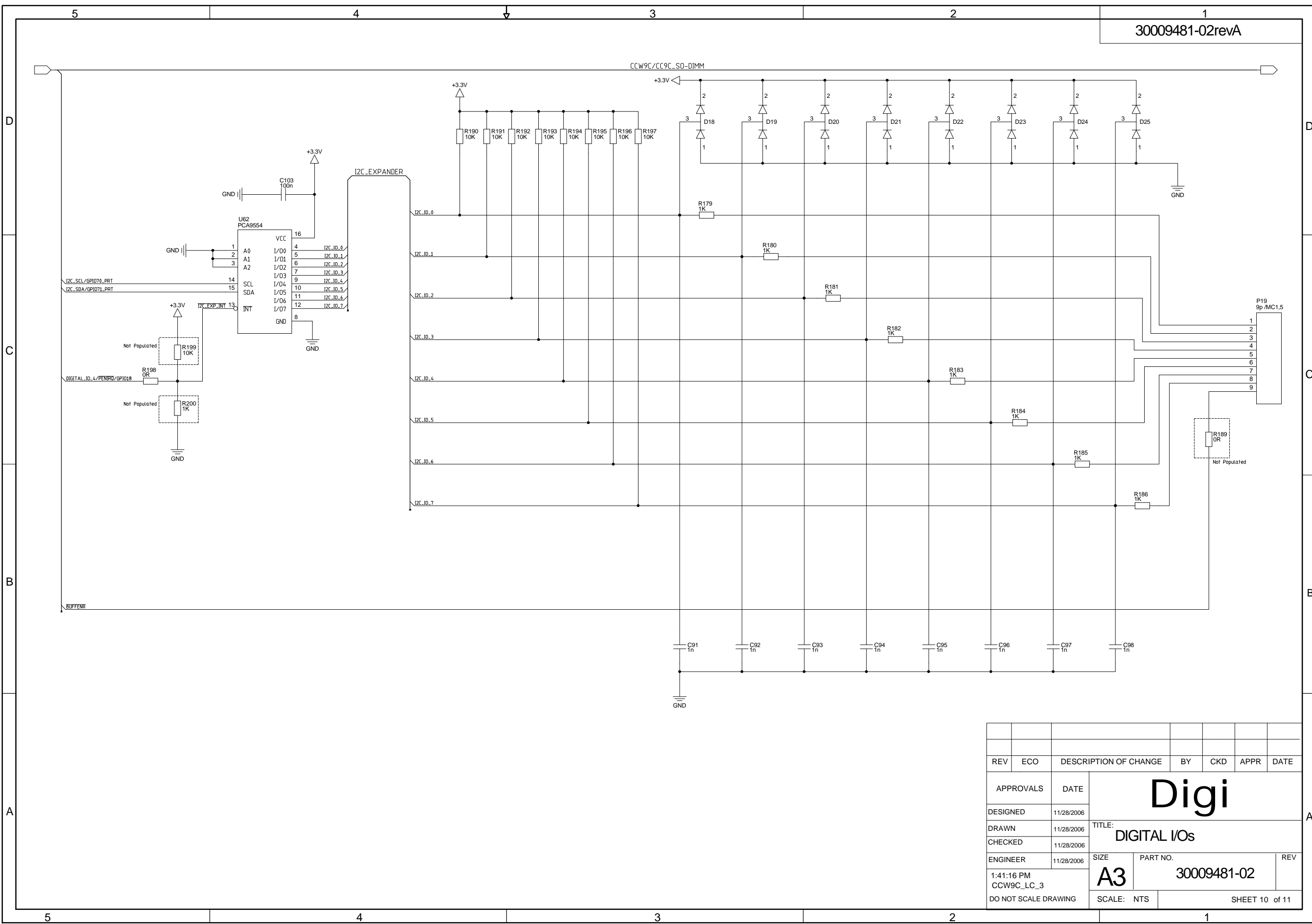
REV	ECO	DESCRIPTION OF CHANGE	BY	CKD	APPR	DATE
APPROVALS		DATE	<h1>Digi</h1> <p>TITLE: Additional UARTs</p>			
DESIGNED		11/28/2006				
DRAWN		11/28/2006				
CHECKED		11/28/2006				
ENGINEER		11/28/2006	SIZE	PART NO.	REV	
10:59:42 AM CCW9C_LC_3		A3	30009481-02	A		
DO NOT SCALE DRAWING			SCALE: NTS	SHEET 07 of 11		

CCW9C/CC9C_S0-DIMM

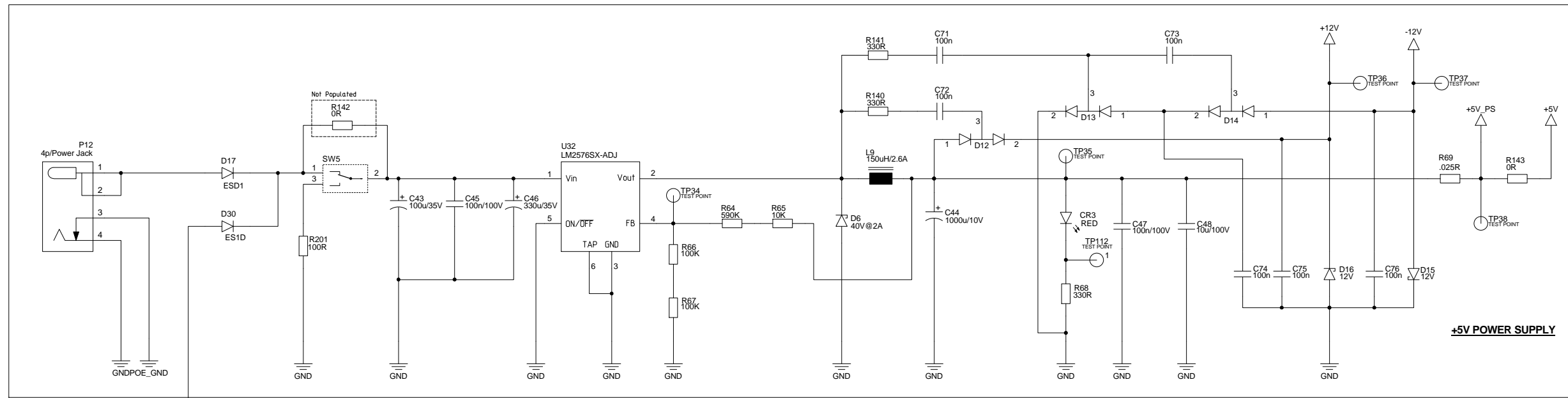


REV	ECO	DESCRIPTION OF CHANGE	BY	CKD	APPR	DATE
APPROVALS		DATE	<div style="text-align: center; font-size: 2em; font-weight: bold;">Digi</div> <p>Buffers & LEDs for Serial Ports</p>			
DESIGNED		11/28/2006				
DRAWN		11/28/2006				
CHECKED		11/28/2006				
ENGINEER		11/28/2006				
10:59:42 AM CCW9C_LC_3		SIZE A3	PART NO. 30009481-02		REV	
DO NOT SCALE DRAWING			SCALE: NTS		SHEET 09 of 11	

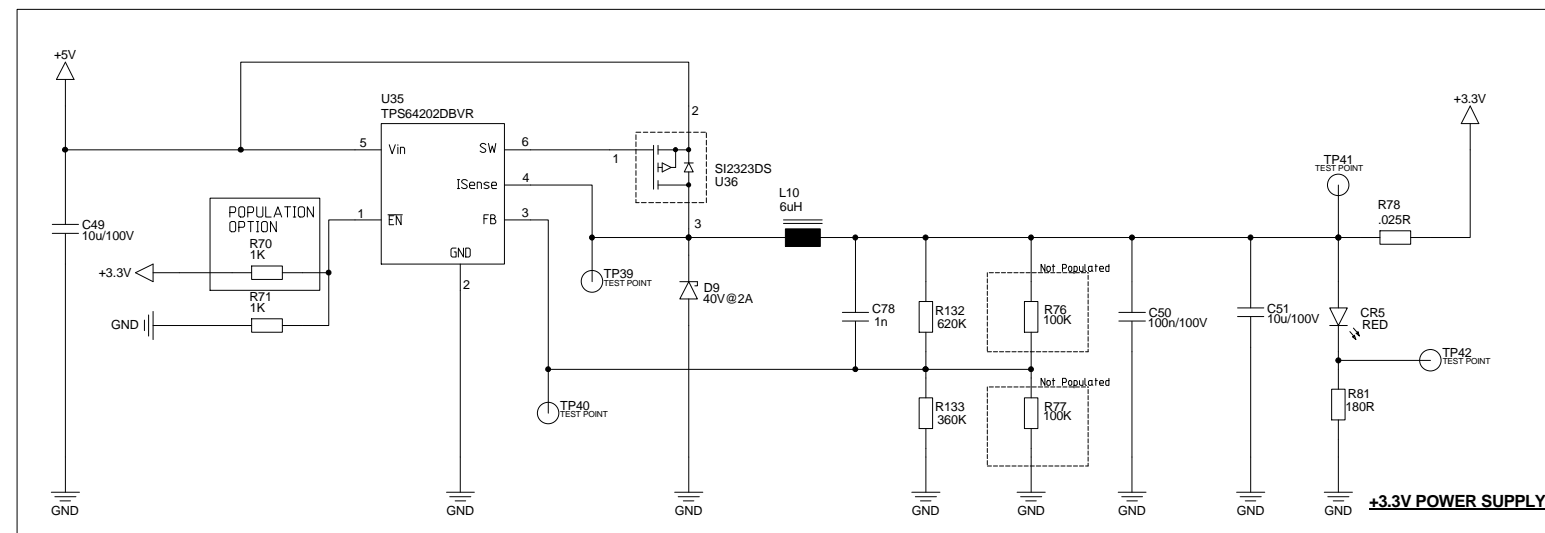
CCW9C/CC9C_SO-DIMM



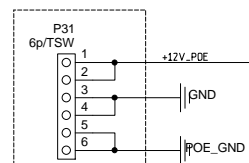
REV	ECO	DESCRIPTION OF CHANGE	BY	CKD	APPR	DATE
APPROVALS		DATE	<div style="text-align: center; font-size: 2em; font-weight: bold;">Digi</div> <p>TITLE: DIGITAL I/Os</p> <p>SIZE: A3 PART NO.: 30009481-02 REV: </p> <p>SCALE: NTS SHEET 10 of 11</p>			
DESIGNED		11/28/2006				
DRAWN		11/28/2006				
CHECKED		11/28/2006				
ENGINEER		11/28/2006				
1:41:16 PM CCW9C_LC_3						
DO NOT SCALE DRAWING						



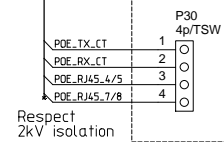
+5V POWER SUPPLY



+3.3V POWER SUPPLY



IEEE802.3af PoE Module



REV	ECO	DESCRIPTION OF CHANGE	BY	CKD	APPR	DATE
APPROVALS		DATE	<div style="text-align: center; font-size: 2em; font-weight: bold;">Digi</div> <p>POWER SUPPLIES + POE</p>			
DESIGNED	11/28/2006					
DRAWN	11/28/2006					
CHECKED	11/28/2006					
ENGINEER	11/28/2006					
10:59:42 AM CCW9C_LC_3		SIZE A3	PART NO. 30009481-02	REV A		
DO NOT SCALE DRAWING			SCALE: NTS	SHEET 11 of 11		