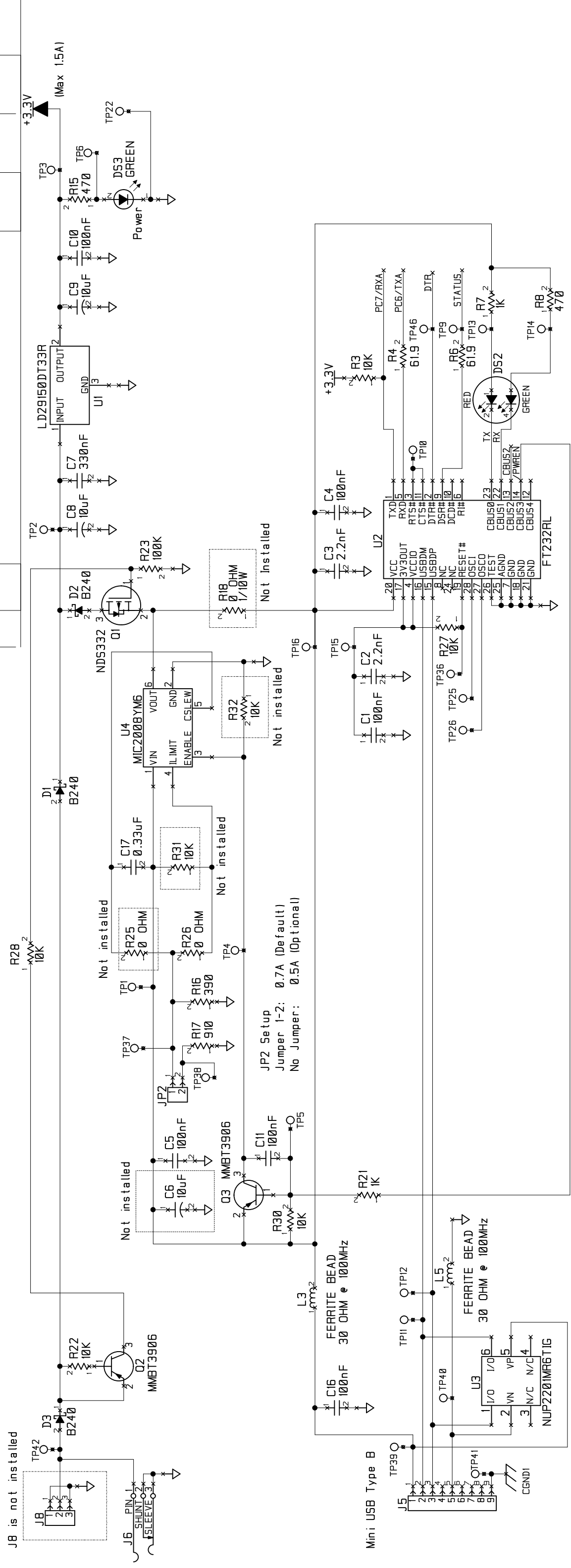


REVISION HISTORY		REVISION APPROVAL	
REV	ECO	PROJECT APPROVAL ENGINEER	DOCUMENT APPROVAL DATE
A	804	Initial Release	LY



01-06-09 9:30 am

MT1 MT2 MT3 MT4
CGND2 CGND1

TP39 O TP40 O TP41 O
CGND1

MT1 MT2 MT3 MT4
CGND2 CGND1

APPEND THE FOLLOWING DOCUMENTS WHEN CHANGING THIS DOCUMENT:		DRAWING CONTENT:		TITLE	
		DRAWN BY: (INITIAL RELEASE)	11-24-08	Interface Board	
		REVISOR BY:	LEI Y.	RABBIT	
		APPROVALS: INITIAL RELEASE		- RCM56XX	
		PROJECT ENGINEER:	LEI Y.	SIZE	B
		ENGINEERING MANAGER:	XUAN T.	DWG NO.	090-0281
		SIGNATURES		SCALE	NONE
				DATE	11-24-08
				RELEASE DATE	11-24-08
				SHEET 1	OF 2

- NOTES: UNLESS OTHERWISE SPECIFIED:
- ALL RESISTOR VALUES ARE IN OHMS, 1/16W, 1% UNLESS LABELED
 - THE ORIGINATION SOURCE OF A VOLTAGE IS REPRESENTED BY (VCC), AND ALL REFERENCES TO THAT VOLTAGE ARE REPRESENTED BY (VCC).
 - COMPONENT VALUES SHOWN WITH AN ASTERISK (*) FOLLOWING THE VALUE OR DASHED BOX, MAY HAVE DIFFERENT VALUES, OR MAY NOT BE STUFFED.

