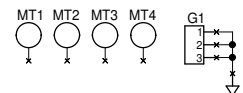
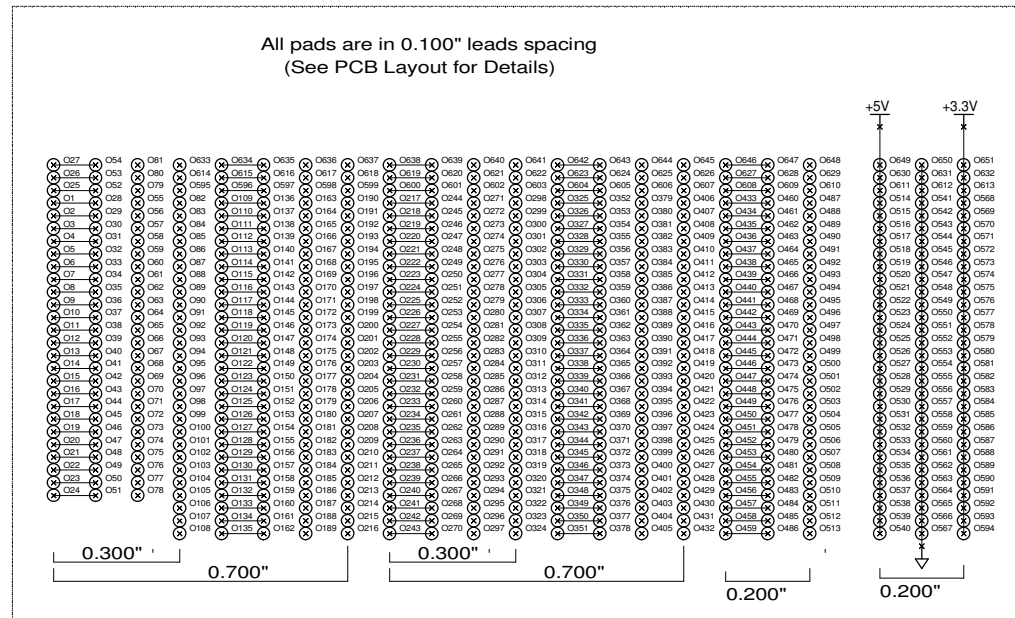
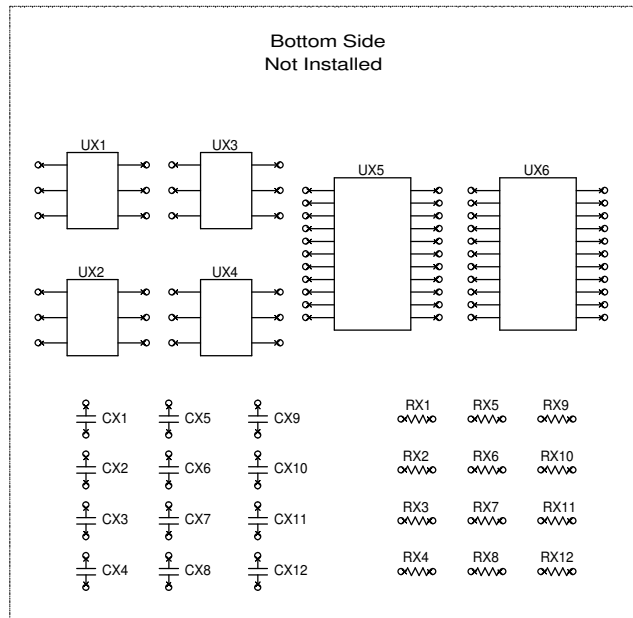
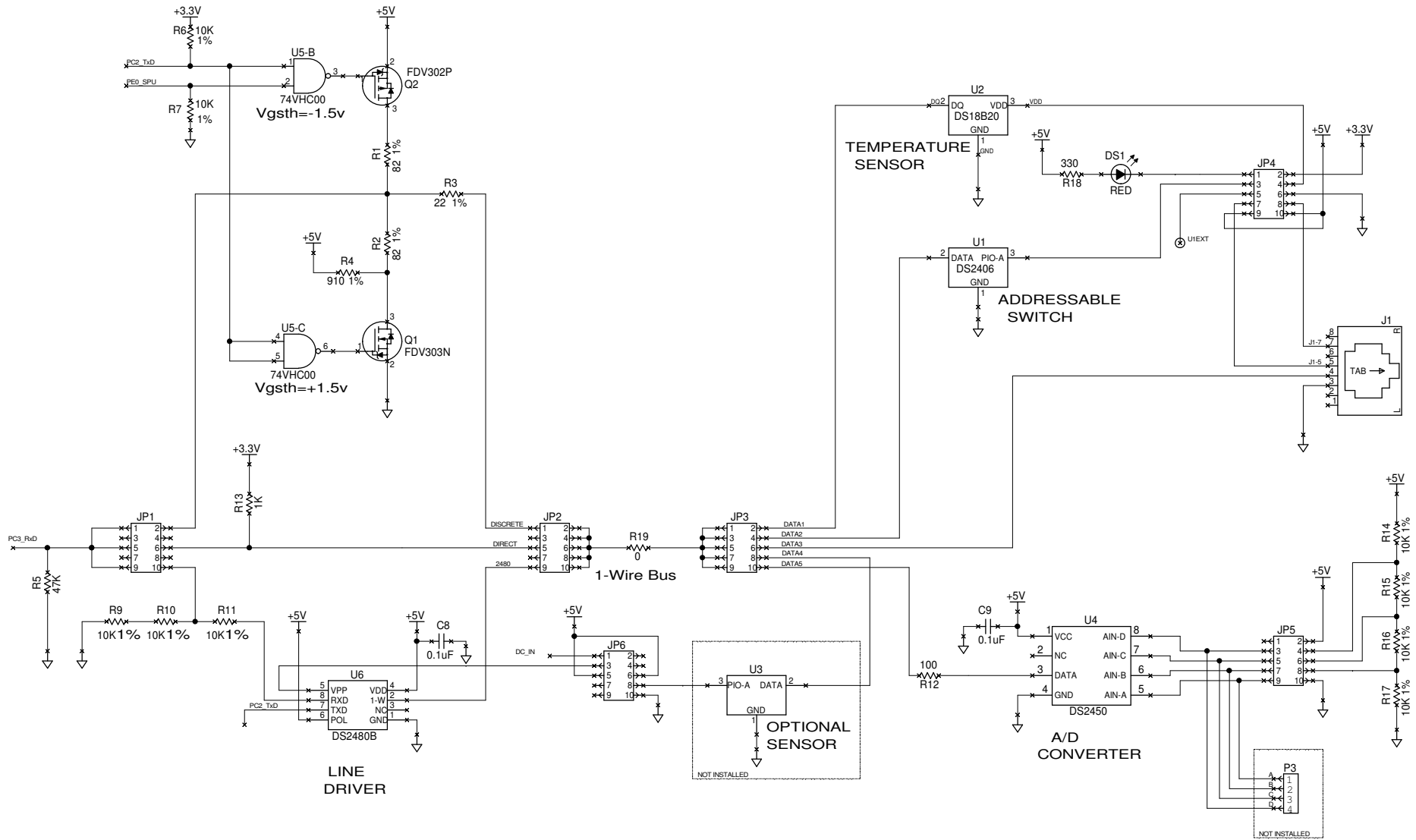


REVISION HISTORY			REVISION APPROVAL			
REV	ECO	DESCRIPTION	PROJECT ENGINEER	APPROVAL DATE	DOCUMENT CONTROL	APPROVAL DATE
A	000875	INITIAL RELEASE	LC			



- NOTES: UNLESS OTHERWISE SPECIFIED;
- ALL RESISTOR VALUES ARE IN OHMS, 1/16W, 1% UNLESS LABELED
 - THE ORIGIN SOURCE OF A VOLTAGE IS REPRESENTED BY AND ALL REFERENCES TO THAT VOLTAGE ARE REPRESENTED BY V_{CC}
 - COMPONENT VALUES SHOWN WITH AN ASTERISK (*) FOLLOWING THE VALUE OR DASHED BOX, MAY HAVE DIFFERENT VALUES, OR MAY NOT BE STUFFED.

APPEND THE FOLLOWING DOCUMENTS WHEN CHANGING THIS DOCUMENT:		DRAWING CONTENT:		TITLE		RABBIT
		DRAWN BY: (INITIAL RELEASE) MEHRAN T.		10/01/2008		
		REVISED BY:				
		APPROVALS: INITIAL RELEASE				
		PROJECT ENGINEER: LARRY C.		02/09/2009		
		ENGINEERING MANAGER: XUAN T.		02/09/2009		
		SIGNATURES		DATE		
				SCALE	NONE	RELEASE DATE
				SIZE	B	DWG NO.
						090- 0279
				SHEET		1 OF 3



SIZE	DWG NO.
B	090- 0279
SCALE	REV LTR
NONE	A
SHEET 3 OF 3	