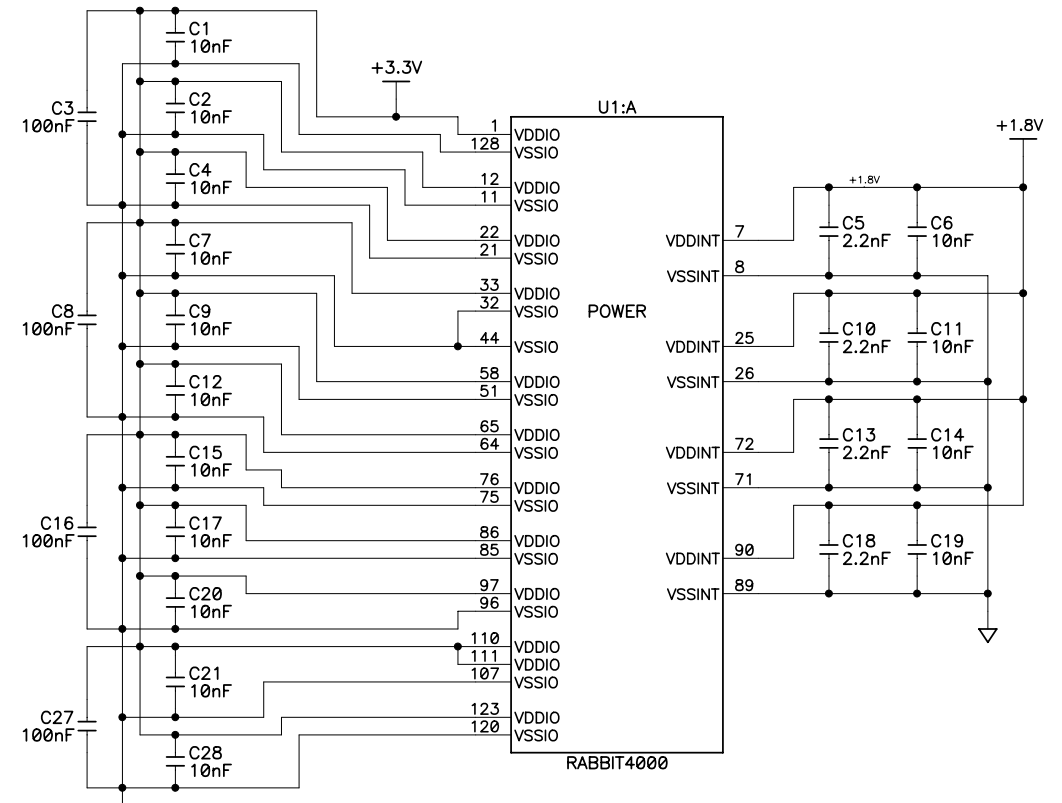
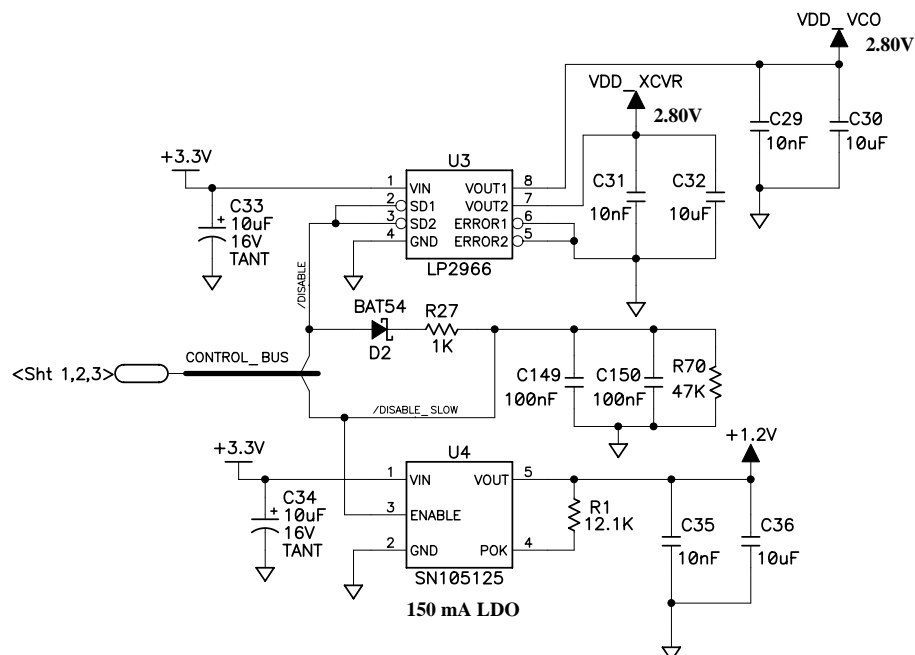
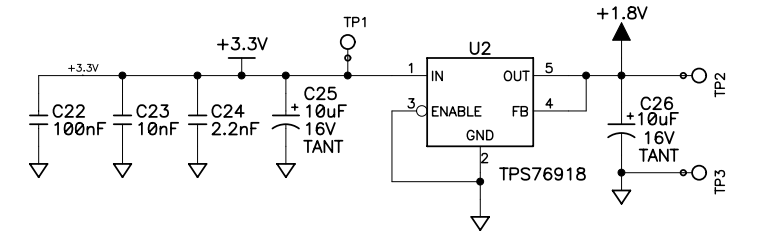
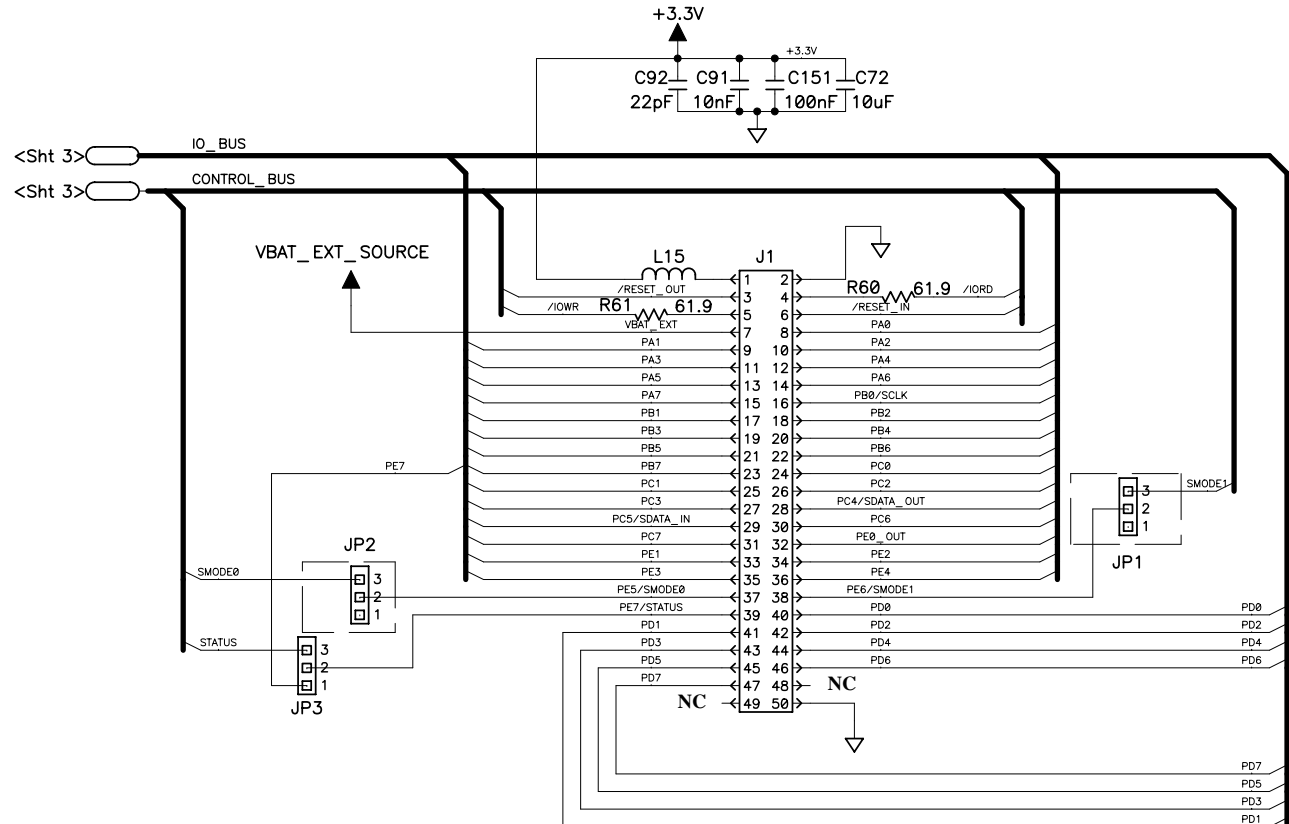


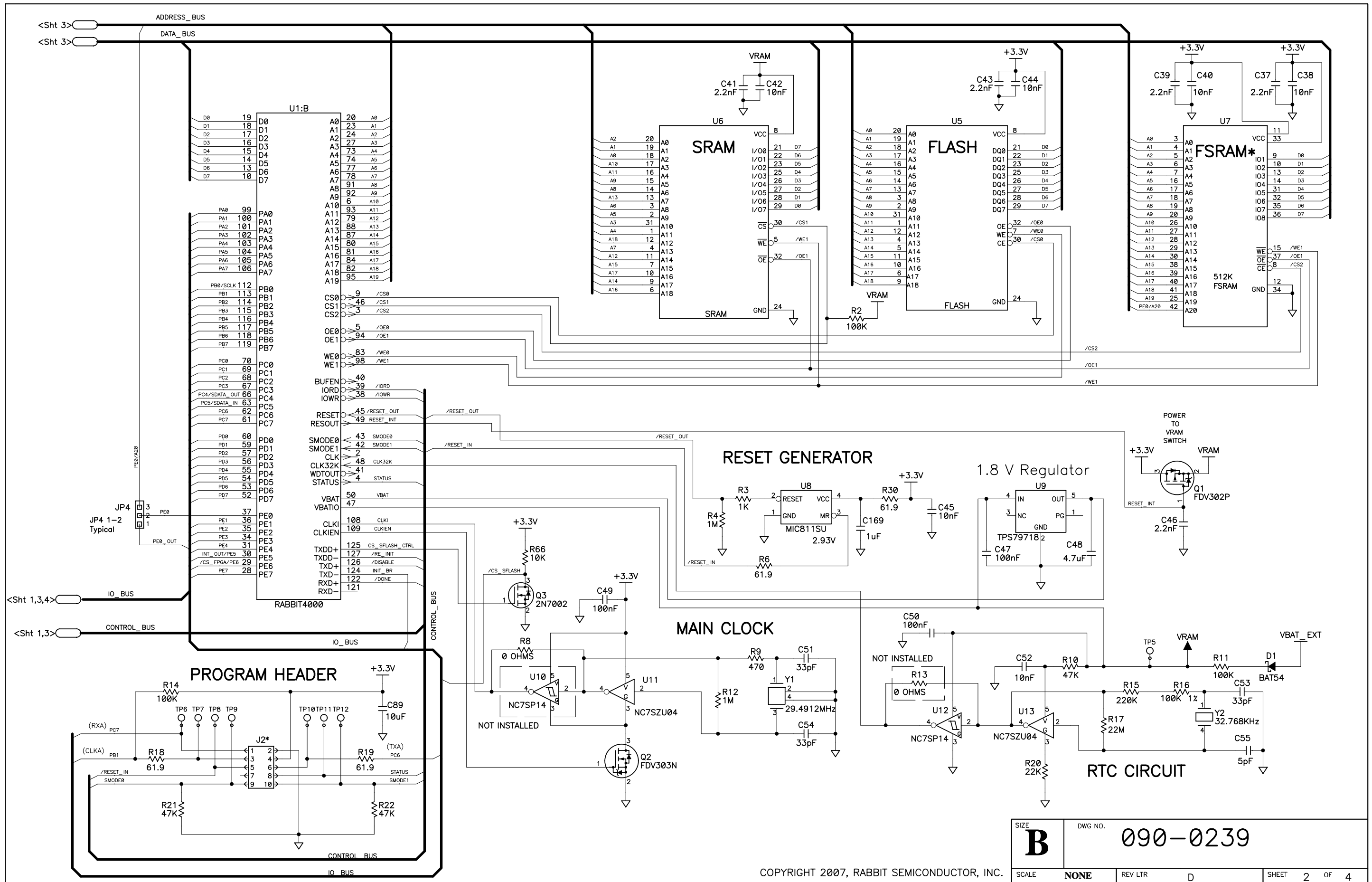
REVISION HISTORY			REVISION APPROVAL			
REV	ECO	DESCRIPTION	PROJECT ENGINEER	APPROVAL DATE	DOCUMENT CONTROL	APPROVAL DATE
B	E15099	INITIAL RELEASE	MK	3/7/07	KF	3/7/07
C	E15274	REVISED RF SECTION TO IMPROVE SIGNAL QUALITY	MK	8/6/07	AR	8/6/07
D	E15487	REVISE VALUES ON TRANSMIT CIRCUIT TO IMPROVE SIGNAL QUALITY	MK	10/11/07	KF	10/11/07



- NOTES: UNLESS OTHERWISE SPECIFIED;
1. ALL RESISTOR VALUES ARE IN OHMS, 1/16W, 1% UNLESS LABELED 5%
 2. THE ORIGINATOR SOURCE OF A VOLTAGE IS REPRESENTED BY (V_{CC}), AND ALL REFERENCES TO THAT VOLTAGE ARE REPRESENTED BY (V_{CC}).
 3. COMPONENT VALUES SHOWN WITH AN ASTERISK (*) FOLLOWING THE VALUE OR DASHED BOX, MAY HAVE DIFFERENT VALUES, OR MAY NOT BE STUFFED.

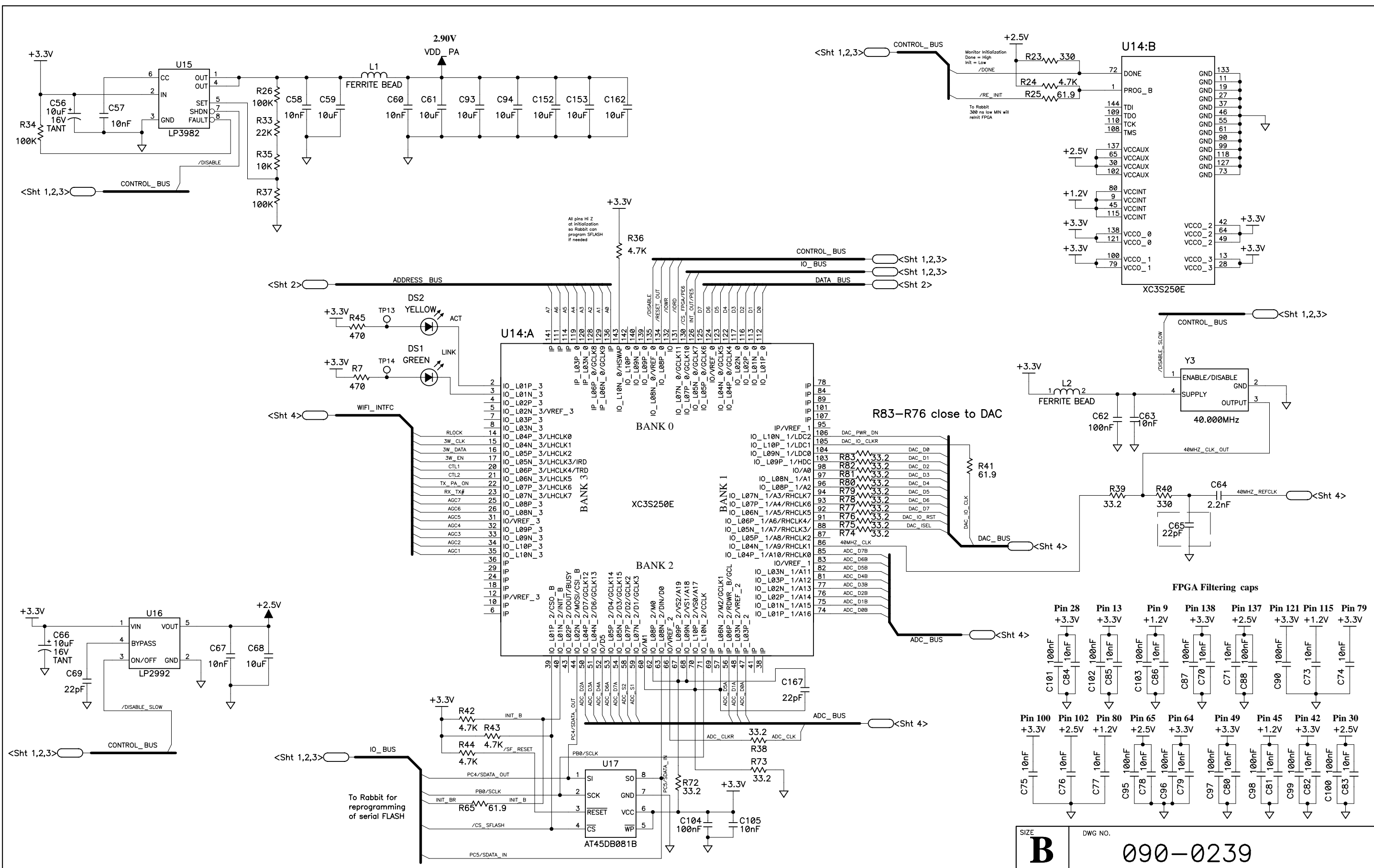
COPYRIGHT 2007, RABBIT SEMICONDUCTOR, INC.

APPEND THE FOLLOWING DOCUMENTS WHEN CHANGING THIS DOCUMENT:	DRAWING CONTENT:	TITLE
	DRAWN BY: (INITIAL RELEASE) M KNOBLOCH 8/30/06	SCHEMATIC DIAGRAM RCM4400W RABBIT SEMICONDUCTOR www.rabbit.com
	REVISED BY: M KNOBLOCH 10/11/07	
	APPROVALS: INITIAL RELEASE	SIZE B
	PROJECT ENGINEER: M KNOBLOCH 8/30/06	DWG NO. 090-0239
	ENGINEERING MANAGER: J BAUMERT	SCALE NONE
	SIGNATURES	RELEASE DATE 3-02-07
	DATE	SHEET 1 OF 4



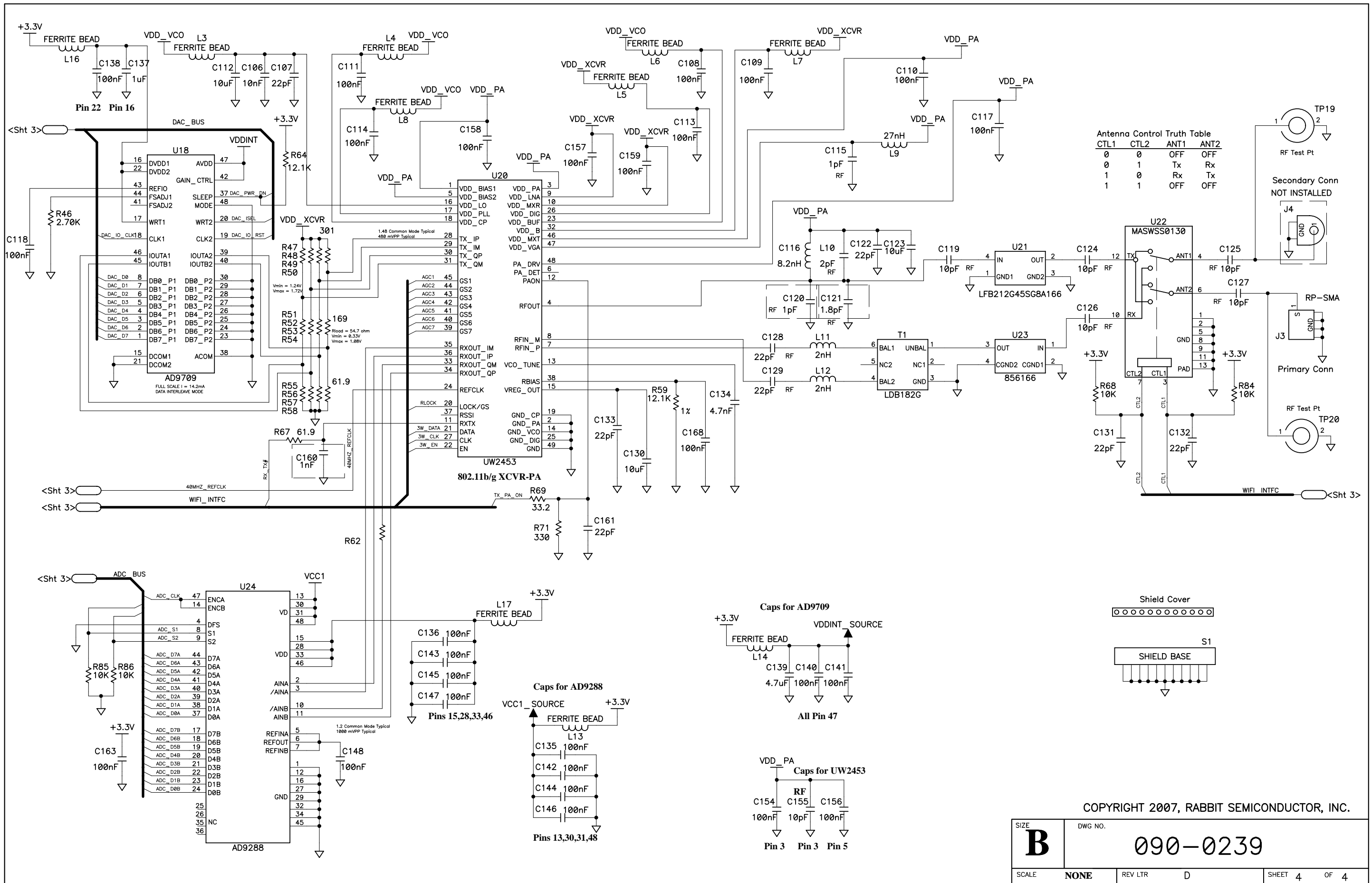
SIZE B	DWG NO. 090-0239
SCALE NONE	REV LTR D
SHEET 2 OF 4	

COPYRIGHT 2007, RABBIT SEMICONDUCTOR, INC.



COPYRIGHT 2007, RABBIT SEMICONDUCTOR, INC.

SIZE B	DWG NO. 090-0239
SCALE NONE	REV LTR D
SHEET 3 OF 4	

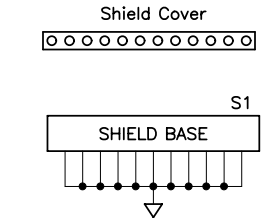


Antenna Control Truth Table

CTL1	CTL2	ANT1	ANT2
0	0	OFF	OFF
0	1	Tx	Rx
1	0	Rx	Tx
1	1	OFF	OFF

Secondary Conn
NOT INSTALLED

Primary Conn



COPYRIGHT 2007, RABBIT SEMICONDUCTOR, INC.

SIZE B	DWG. NO. 090-0239
SCALE NONE	REV LTR D
SHEET 4 OF 4	