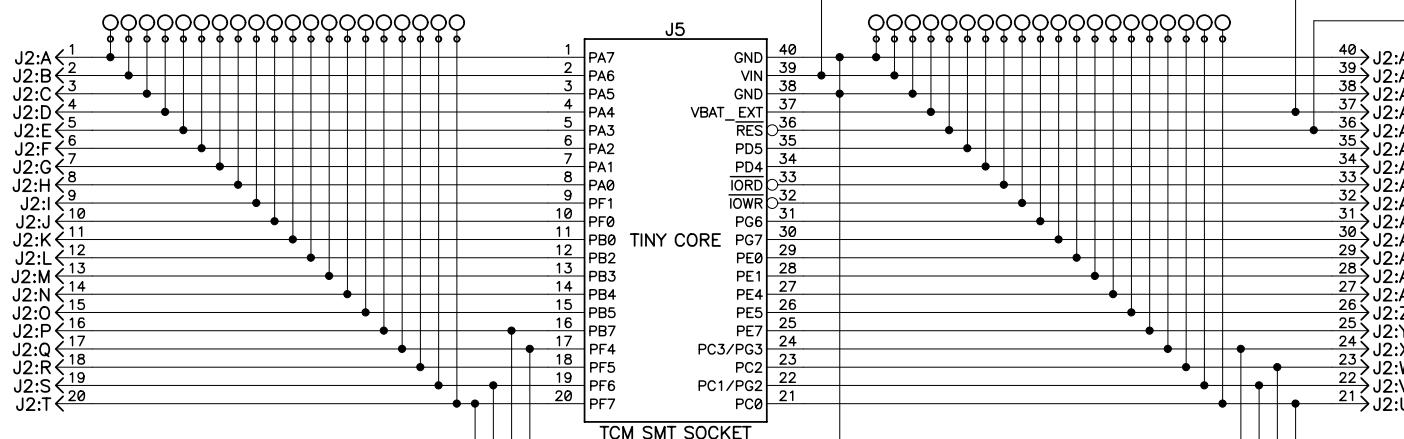
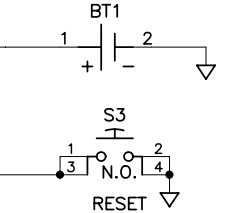


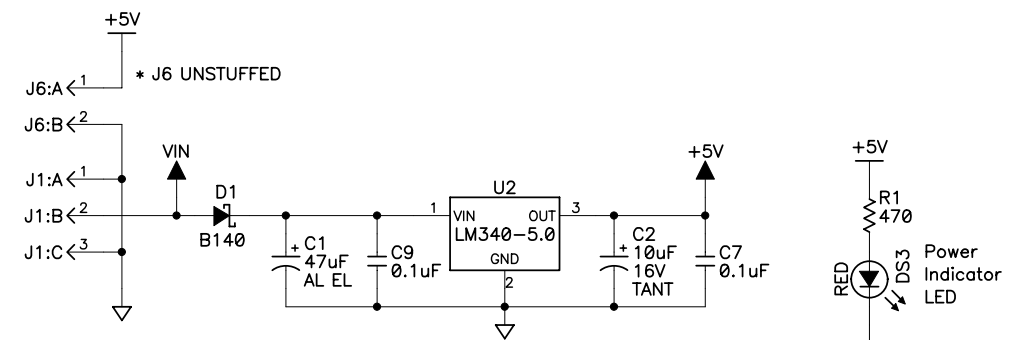
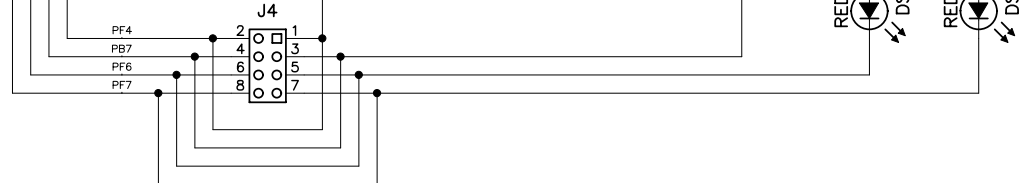
* J2 UNSTUFFED



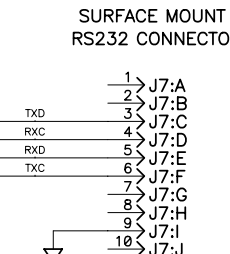
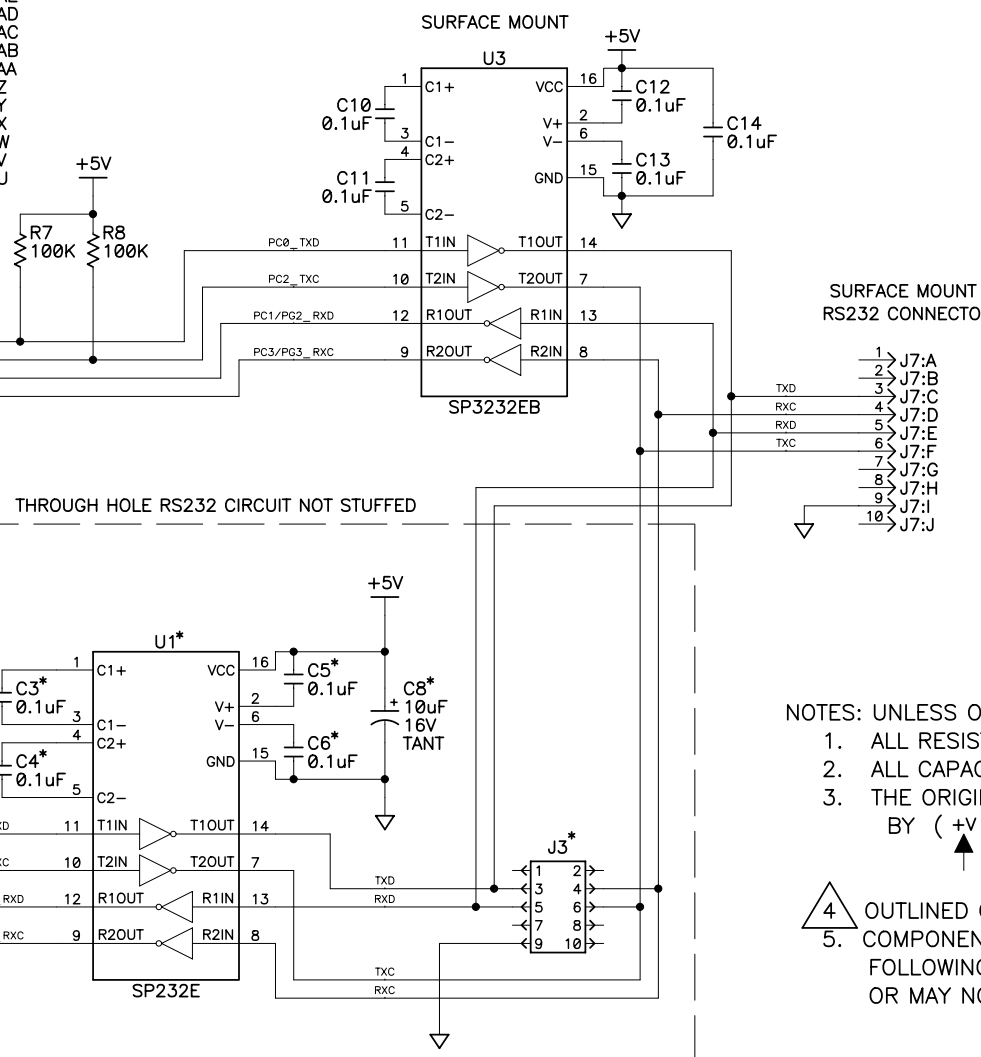
2032 Battery
(minimum 3 Yr. lifetime)



* J4 UNSTUFFED



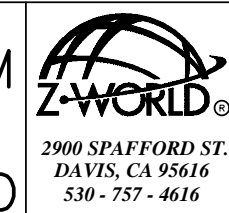
REVISION HISTORY			REVISION APPROVAL			
REV	ECO	DESCRIPTION	PROJECT ENGINEER	APPROVAL DATE	DOCUMENT CONTROL	APPROVAL DATE
A	E12879	INITIAL RELEASE	TCP	8/12/04	KF	8/12/04
B	E13296	Changed C8 to 10uF	TCP	5/9/05	KF	5/6/05
C	E13342	Changed U3, C2 and D1 to different package. Added J7, J8, R7, R8. Stuff SMT RS232 circuit.	TCP	6/6/05	KF	6/2/05



- NOTES: UNLESS OTHERWISE SPECIFIED;
1. ALL RESISTOR VALUES ARE IN OHMS, 1/10W, 5%
 2. ALL CAPACITORS ARE 10VDC OR HIGHER.
 3. THE ORIGIN SOURCE OF A VOLTAGE IS REPRESENTED BY (+V), AND ALL REFERENCES TO THAT VOLTAGE ARE REPRESENTED BY (+V).
 4. OUTLINED CIRCUIT MAY NOT BE STUFFED, SEE NOTES.
 5. COMPONENT VALUES SHOWN WITH AN ASTERISK (*) FOLLOWING THE VALUE, MAY HAVE DIFFERENT VALUES, OR MAY NOT BE STUFFED DEPENDING ON MODEL.

COPYRIGHT 2005, Z-WORLD, INC.

APPEND THE FOLLOWING DOCUMENTS WHEN CHANGING THIS DOCUMENT:		DRAWING CONTENT:		TITLE	
		DRAWN BY: (INITIAL RELEASE)	7/20/04	SCHEMATIC DIAGRAM RCM3720 PROTOTYPING BOARD	
		REVISED BY:			
APPROVALS: INITIAL RELEASE				SIZE B DWG NO. 090-0199	
PROJECT ENGINEER:					
ENGINEERING MANAGER:					
SIGNATURES		DATE		SCALE	NONE
				RELEASE DATE	7/20/04
				SHEET	1 OF 2



NOT INSTALLED – AVAILABLE FOR CUSTOMER USE

