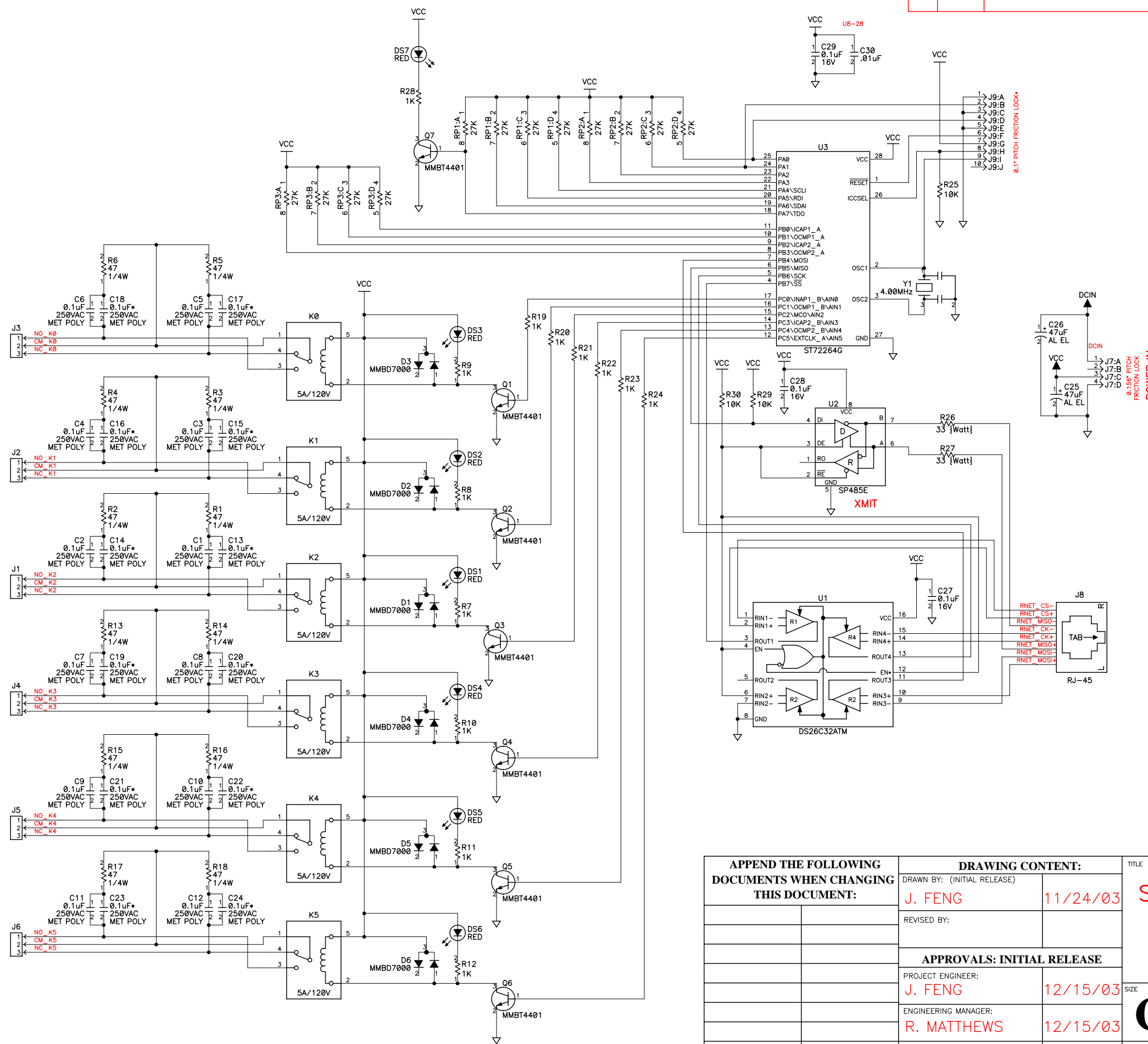


REVISION HISTORY			REVISION APPROVAL			
REV	ECO	DESCRIPTION OF CHANGE	PROJECT ENGINEER	APPROVAL DATE	DOCUMENT CONTROL	APPROVAL DATE
A	E12558	INITIAL RELEASE	JF	12/15/03	KF	12/15/03
B	E15042	REVISED, REPLACED CAPACITORS IN SNUBBER CIRCUITS	XT			



- NOTES: UNLESS OTHERWISE SPECIFIED;
1. ALL RESISTOR VALUES ARE IN OHMS, 1/16W 0603 PACKAGE, 5%
  2. ALL CAPACITORS ARE 50VDC OR HIGHER.
  3. THE ORIGIN SOURCE OF A VOLTAGE IS REPRESENTED BY (VCC), AND ALL REFERENCES TO THAT VOLTAGE ARE REPRESENTED BY (VCC).
  4. COMPONENT VALUES SHOWN WITH AN ASTERISK (\*) FOLLOWING THE VALUE, ARE NOT NORMALLY STUFFED.

COPYRIGHT 2003, Z-WORLD, INC.

APPEND THE FOLLOWING DOCUMENTS WHEN CHANGING THIS DOCUMENT:		DRAWING CONTENT:		TITLE	
		DRAWN BY: (INITIAL RELEASE)		SCHEMATIC DIAGRAM RN1400 RELAY BOARD	
		J. FENG	11/24/03		
		REVISED BY:		APPROVALS: INITIAL RELEASE	
		PROJECT ENGINEER:		SIZE	DWG NO.
		J. FENG	12/15/03	C	090-0184
		ENGINEERING MANAGER:			
		R. MATTHEWS	12/15/03	SCALE	NONE
		SIGNATURES	DATE	RELEASE DATE	12/15/03
				SHEET	1 OF 1

