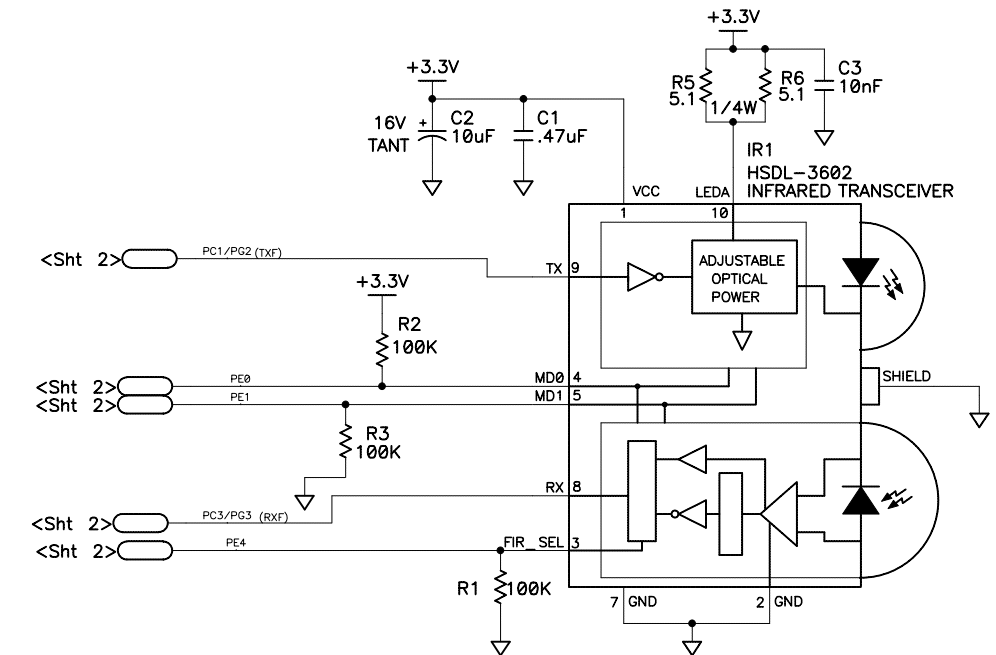
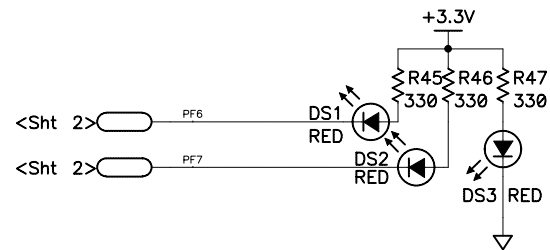
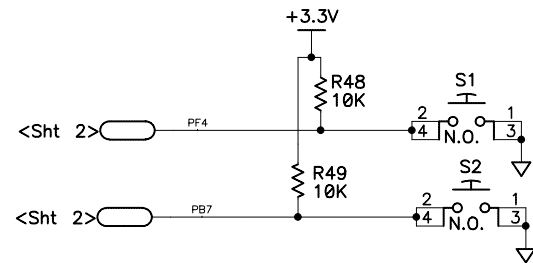
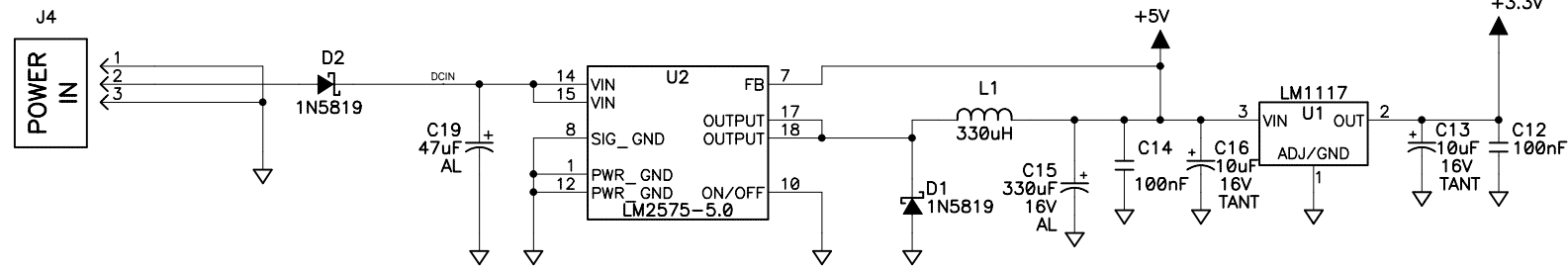
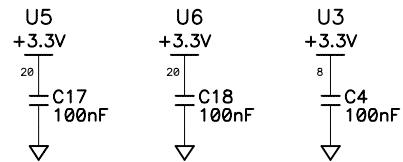


POWER TABLE

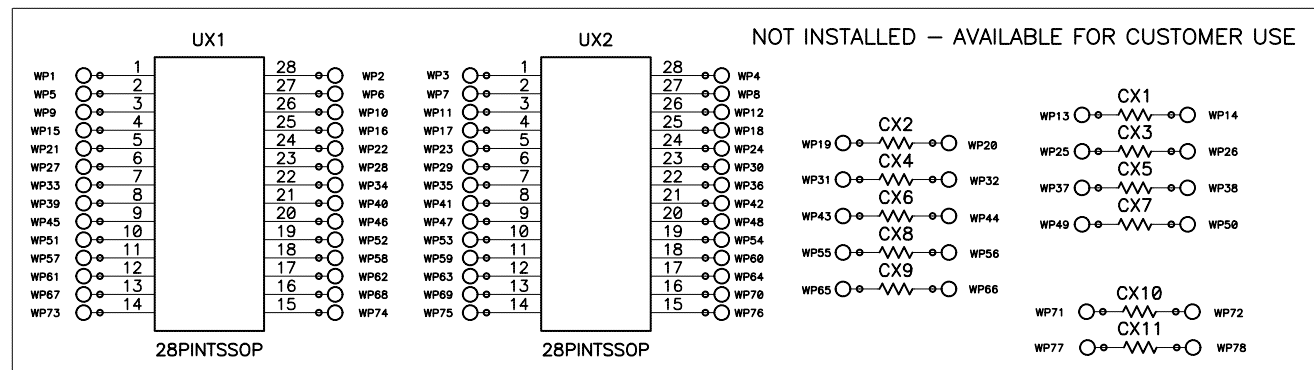
Ref Des	Device	GND	+3.3V	AGND	+V
U3	RS485	5	8		
U5	74LCX245	10	20		
U6	74LCX245	10	20		
U8	ADS7870			25	24



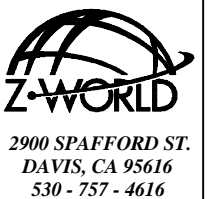
- NOTES: UNLESS OTHERWISE SPECIFIED;
1. ALL RESISTOR VALUES ARE IN OHMS, 1/16W, 5%
  2. ALL CAPACITORS ARE 10VDC OR HIGHER.
  3. THE ORIGIN SOURCE OF A VOLTAGE IS REPRESENTED BY ( +V ), AND ALL REFERENCES TO THAT VOLTAGE ARE REPRESENTED BY ( ±V ).

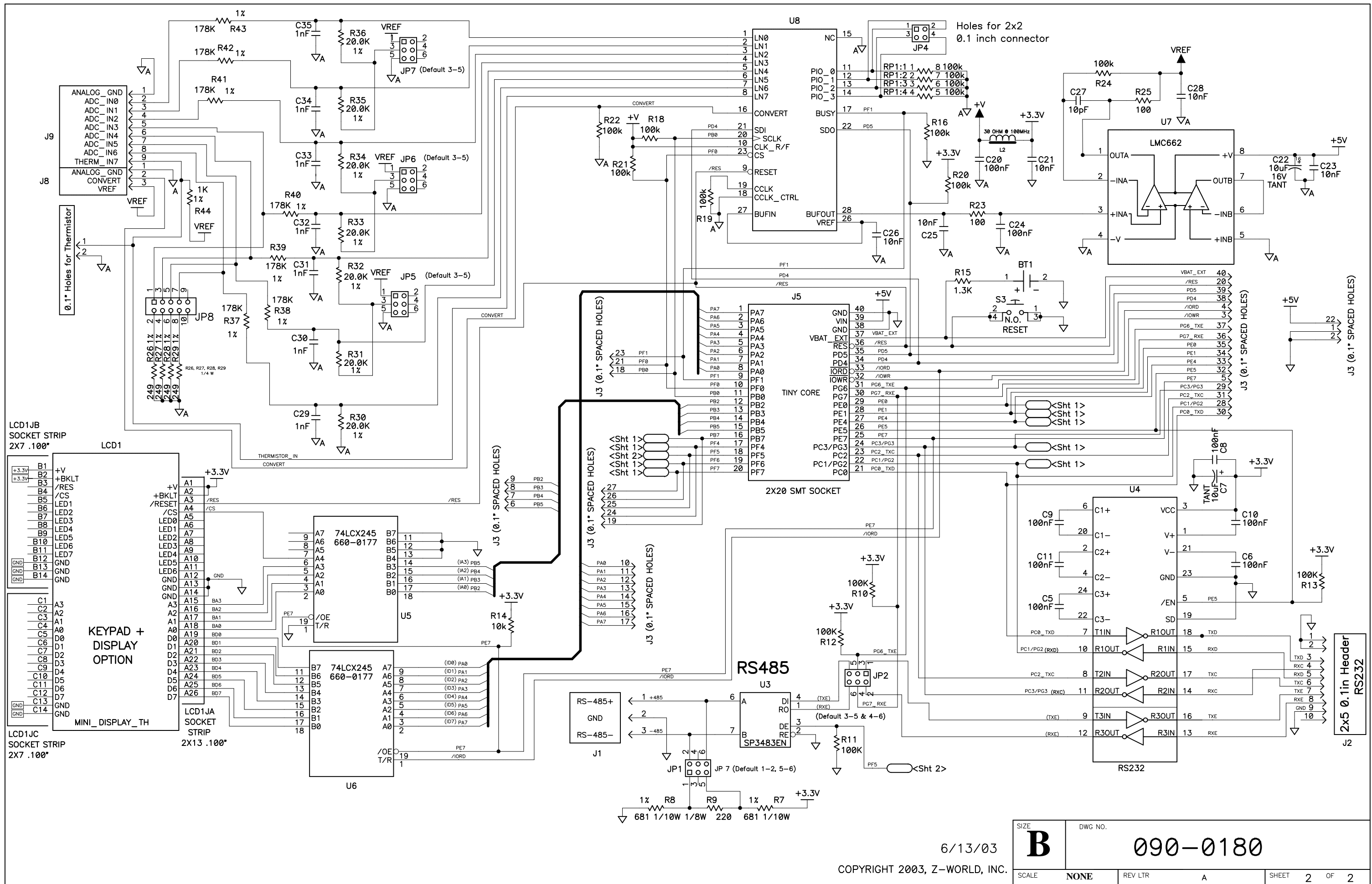
4. OUTLINED CIRCUIT MAY NOT BE STUFFED, SEE NOTES.
5. COMPONENT VALUES SHOWN WITH AN ASTERISK (\*) FOLLOWING THE VALUE, MAY HAVE DIFFERENT VALUES, OR MAY NOT BE STUFFED DEPENDING ON MODEL.

COPYRIGHT 2003, Z-WORLD, INC.



APPEND THE FOLLOWING DOCUMENTS WHEN CHANGING THIS DOCUMENT:		DRAWING CONTENT:		TITLE	
		DRAWN BY: (INITIAL RELEASE)	6/13/03	SCHEMATIC DIAGRAM	
		D.MUSGROVE		RCM36XX/37XX	
		REVISED BY:		PROTO BOARD	
		APPROVALS: INITIAL RELEASE		Z-WORLD	
		PROJECT ENGINEER:		2900 SPAFFORD ST.	
		ENGINEERING MANAGER:		DAVIS, CA 95616	
				SIZE <b>B</b>	DWG NO. 090-0180
		SIGNATURES	DATE	SCALE NONE	RELEASE DATE 6/13/03
					SHEET 1 OF 2





6/13/03  
 COPYRIGHT 2003, Z-WORLD, INC.

SIZE <b>B</b>	DWG NO. <b>090-0180</b>
SCALE NONE	REV LTR A
SHEET 2 OF 2	