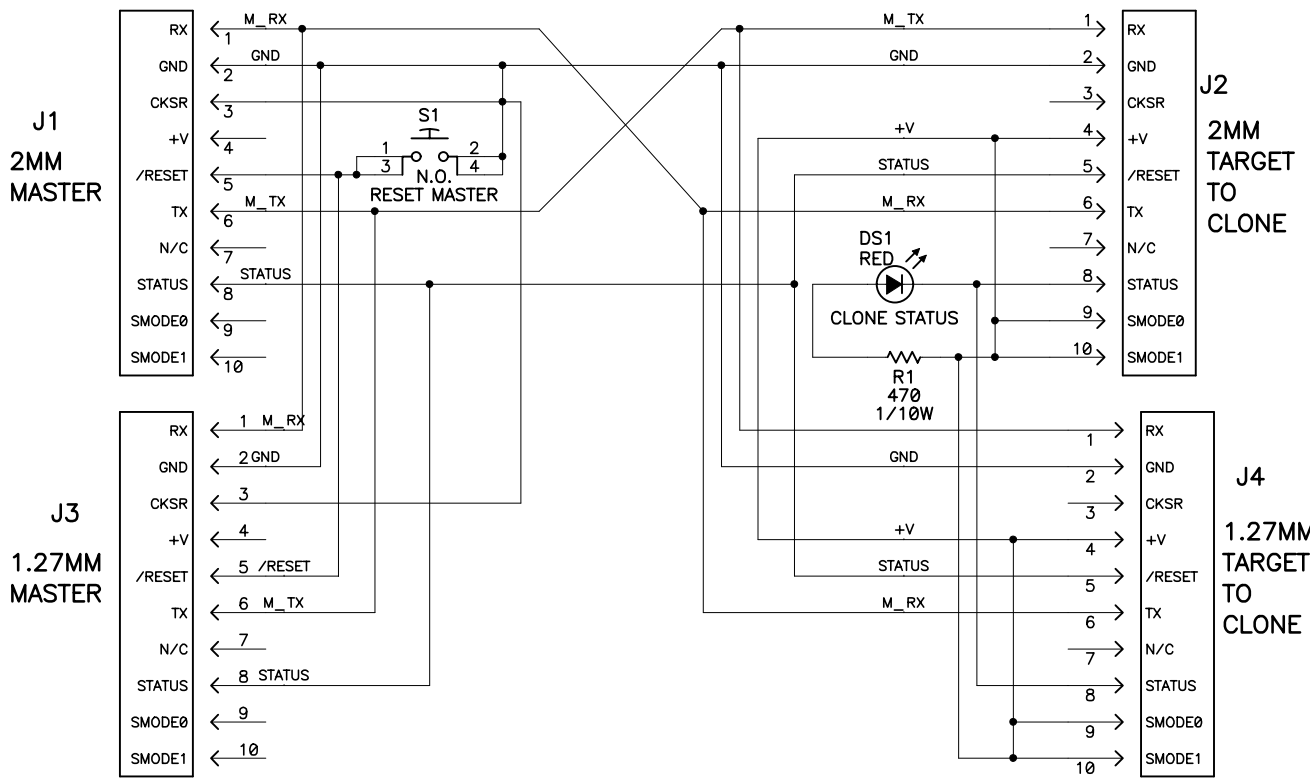



REVISION HISTORY			REVISION APPROVAL			
REV	ECO	DESCRIPTION	PROJECT ENGINEER	APPROVAL DATE	DOCUMENT CONTROL	APPROVAL DATE
A	E12135	INITIAL RELEASE	DM	12/6/02	KIS	12/5/02



Copyright 2002, Z-World, Inc.	<b>APPEND THE FOLLOWING DOCUMENTS WHEN CHANGING THIS DOCUMENT:</b>		<b>DRAWING CONTENT:</b>		TITLE SCHEMATIC DIAGRAM RABBIT CLONING CABLE BOARD 3V/5V 1.27/2MM		 2900 SPAFFORD ST. DAVIS, CA 95616 530 - 757 - 4616		
			DRAWN BY: (INITIAL RELEASE) DARREN MUSGROVE	12NOV02				SIZE <b>A</b> DWG NO. <b>090-0167</b>	
			REVISED BY:						
			<b>APPROVALS: INITIAL RELEASE</b>		SHEET 1 OF 1				
			PROJECT ENGINEER:	DARREN MUSGROVE			12/6/02	SHEET 1 OF 1	
			ENGINEERING MANAGER:	R.MATTHEWS	12/9/02				
		<b>SIGNATURES</b>		<b>DATE</b>					