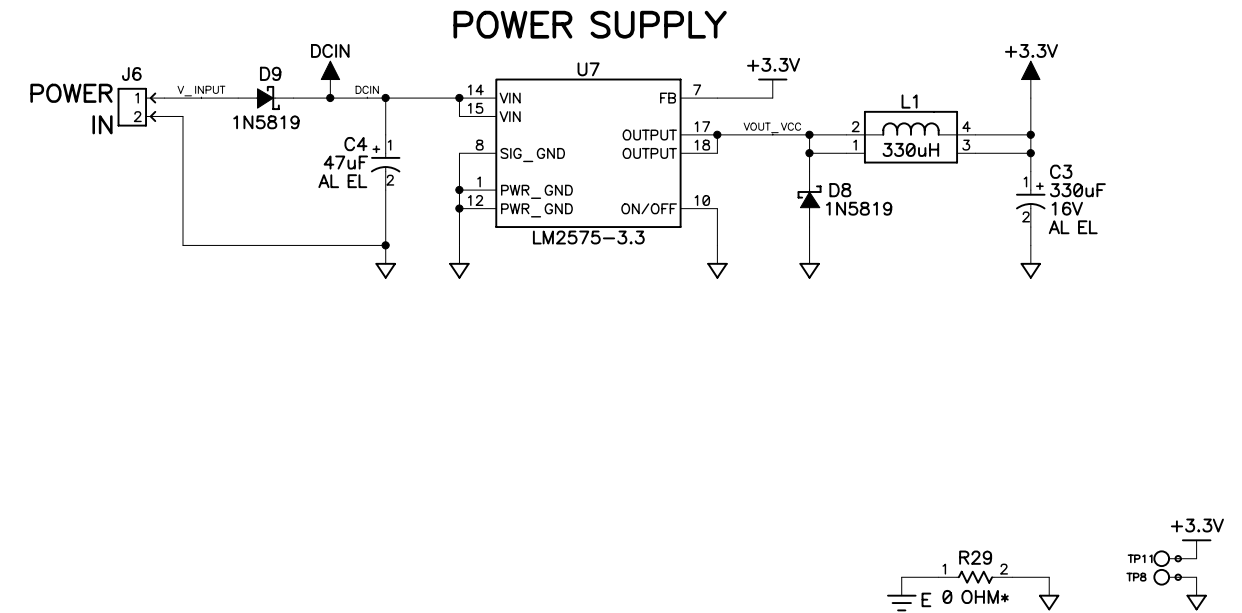
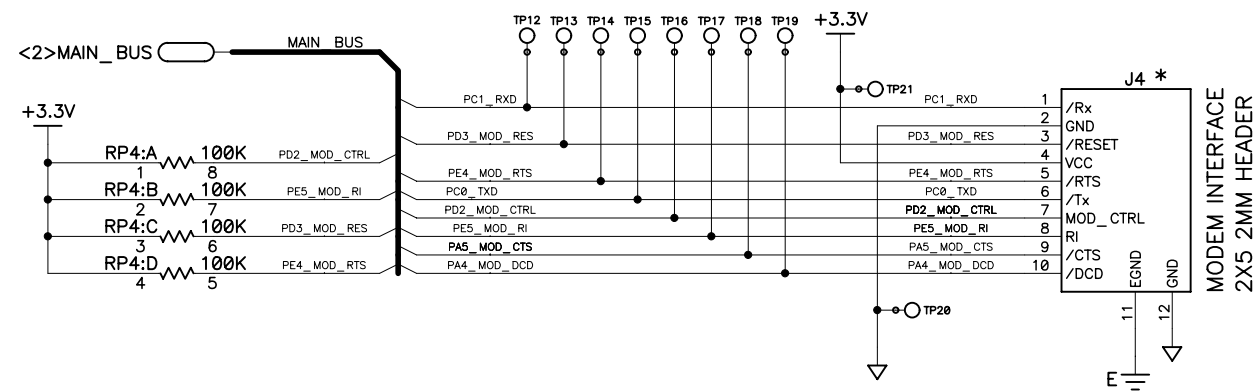



NOTES: UNLESS OTHERWISE SPECIFIED;

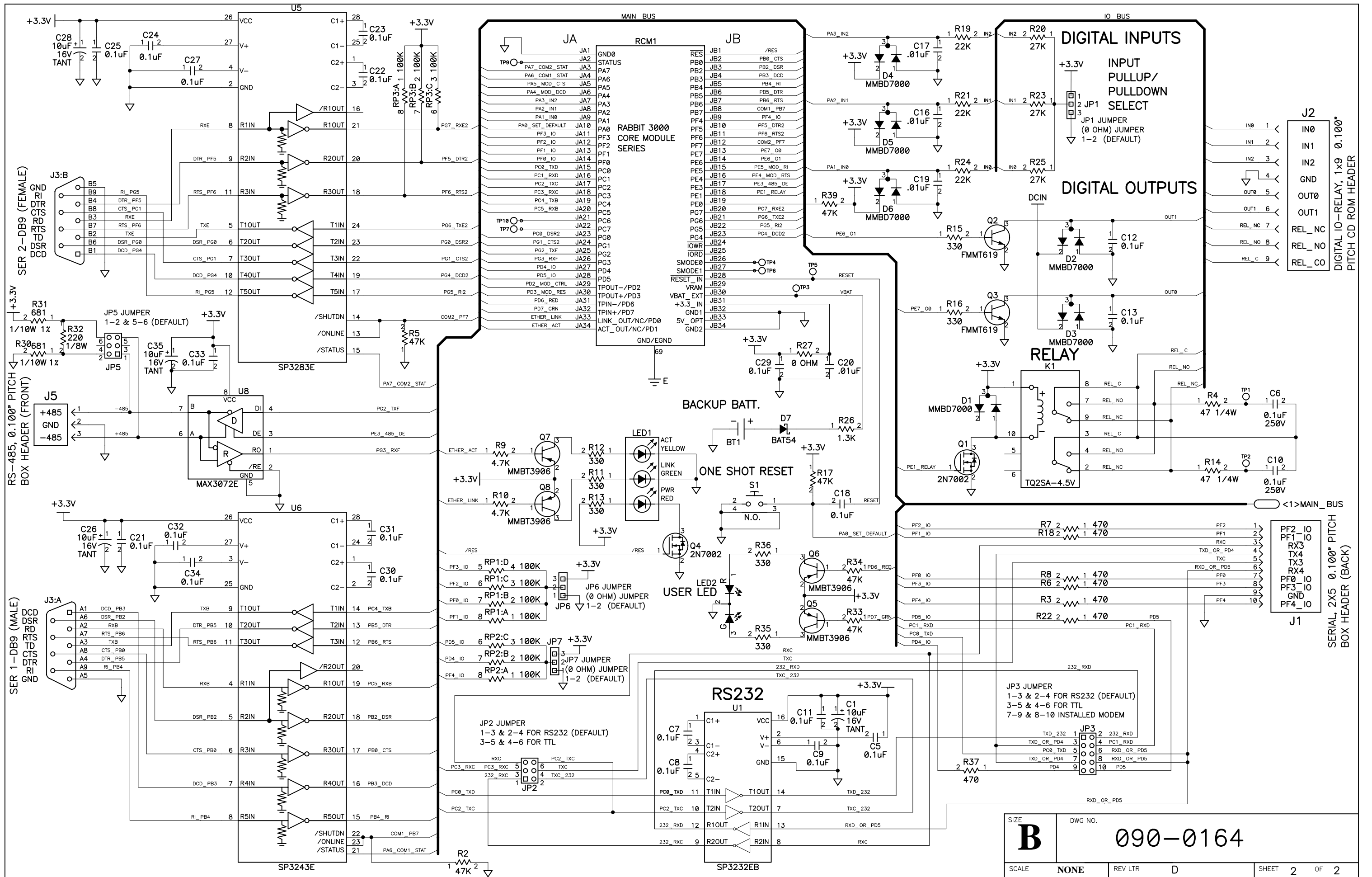
1. ALL RESISTOR VALUES ARE IN OHMS, 1/16W, 5%
2. ALL CAPACITORS ARE 50VDC OR HIGHER.
3. THE ORIGATION SOURCE OF A VOLTAGE IS REPRESENTED BY (+3.3V), AND ALL REFERENCES TO THAT VOLTAGE ARE REPRESENTED BY (+3.3V).
4. COMPONENT VALUES SHOWN WITH AN ASTERISK (\*) FOLLOWING THE VALUE ARE NOT NORMALLY INSTALLED.

REVISION HISTORY			REVISION APPROVAL			
REV	ECO	DESCRIPTION	PROJECT ENGINEER	APPROVAL DATE	DOCUMENT CONTROL	APPROVAL DATE
A	E12258	INITIAL RELEASE	XT	4/8/03	RWC	4/7/03
B	E12563	COMBINED EGND & EGND2, REMOVED U2-4, JP4	EP	1/6/2004	KF	1/2/2004
C	E12915	REMOVED UNUSED ASSEMBLIES.	XT	8/26/04	KF	8/24/04
D	E13104	ADD NEW 15KV RS485 CHIP	XT	1/19/05	KF	1/13/05



COPYRIGHT 2005, Z-WORLD, INC.

APPEND THE FOLLOWING DOCUMENTS WHEN CHANGING THIS DOCUMENT:		DRAWING CONTENT:		TITLE	
		DRAWN BY: (INITIAL RELEASE)		SCHEMATIC DIAGRAM EM1500	
		XUAN TRUONG	1/13/05		
		REVISOR BY: KRISTI FREEMAN	1/13/05		
		APPROVALS: INITIAL RELEASE		 2900 SPAFFORD ST. DAVIS, CA 95616 530 - 757 - 4616	
		PROJECT ENGINEER:			
		ENGINEERING MANAGER:			
		SIGNATURES	DATE	SIZE <b>B</b>	DWG NO. 090-0164
				SCALE NONE	RELEASE DATE
					SHEET 1 OF 2



SIZE	DWG NO.
<b>B</b>	090-0164
SCALE	REV LTR
NONE	D
SHEET	OF
2	2