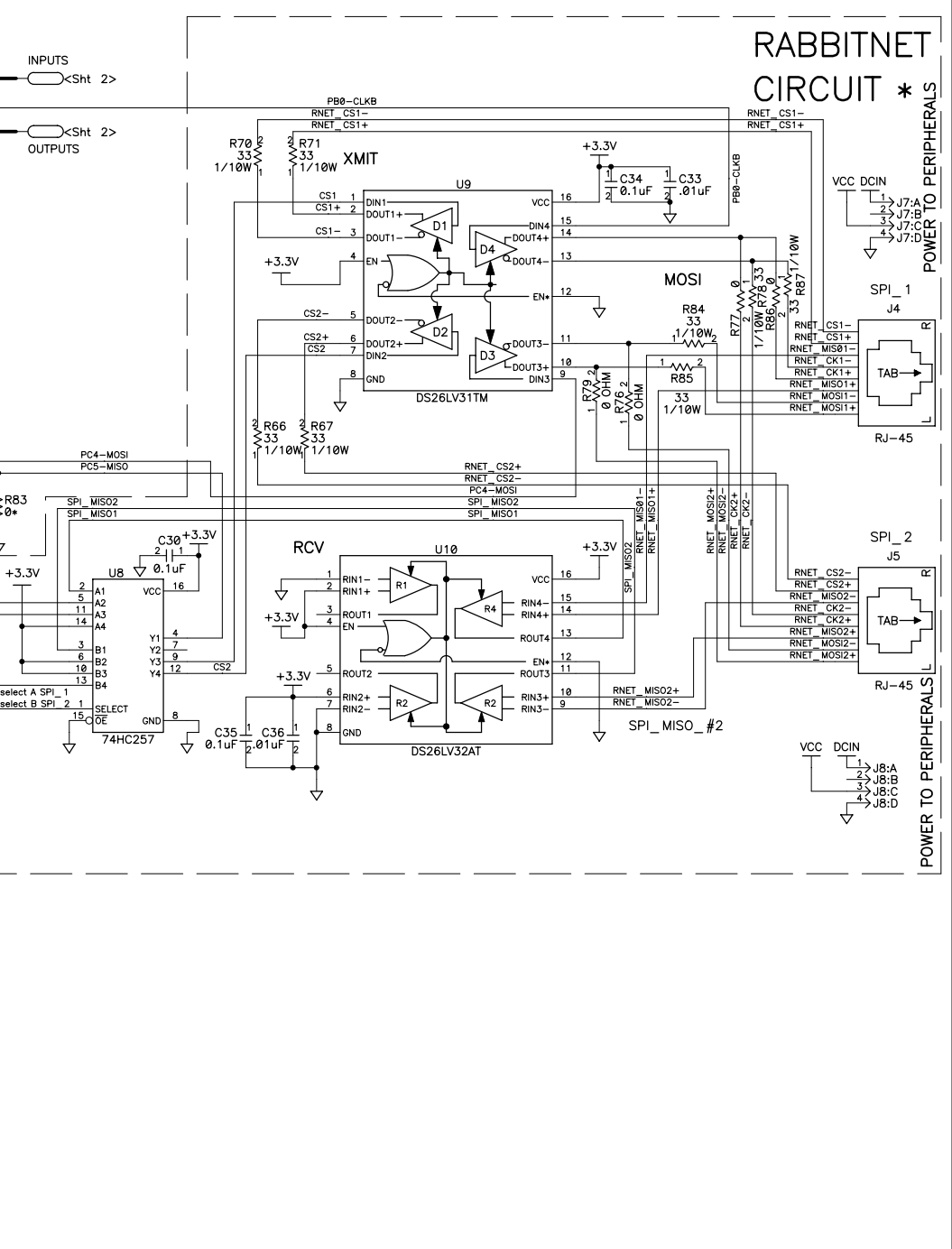



REVISION HISTORY			REVISION APPROVAL			
REV	ECO	DESCRIPTION OF CHANGE	PROJECT ENGINEER	APPROVAL DATE	DOCUMENT CONTROL	APPROVAL DATE
E	E12184	INITIAL RELEASE	RJH	1/13/03	KIS	1/9/03
F	E12272	ADDED 33 OHM PROTECTION RESISTORS TO MOSI	RJH	4/24/03	KIS	4/24/03
G	E12749	ADDED 10K OHM RESISTORS TO PA0-PA3, PD4&5, PB4&5	RJH	5/26/04	KF	5/26/04
H	E13300	CHANGE R26 AND R28 TO 1K RESISTORS	RJH	5/25/05	KF	5/11/05



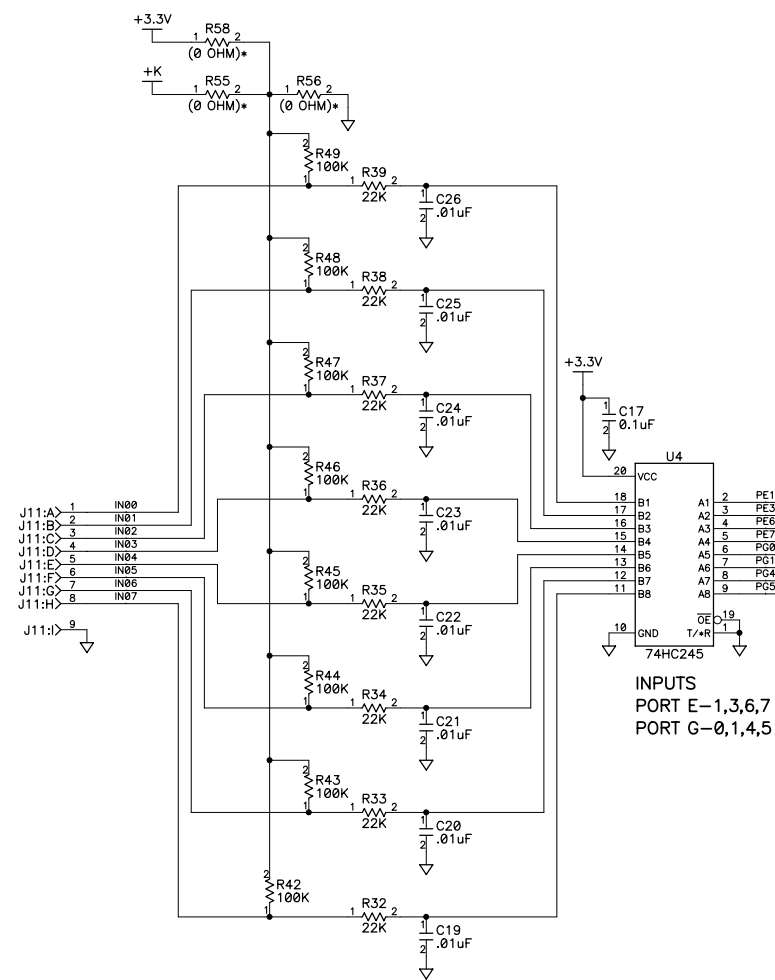
- NOTES: UNLESS OTHERWISE SPECIFIED;
- ALL RESISTOR VALUES ARE IN OHMS, 1/16W 0603 PACKAGE, 5X
 - ALL CAPACITORS ARE 50VDC OR HIGHER.
 - THE ORIGIN SOURCE OF A VOLTAGE IS REPRESENTED BY (VCC), AND ALL REFERENCES TO THAT VOLTAGE ARE REPRESENTED BY (VCC).
 - OUTLINED CIRCUIT MAY NOT BE STUFFED DEPENDING ON MODEL, SEE STUFFING CHART FOR CLARIFICATION.
 - COMPONENT VALUES SHOWN WITH AN ASTERISK (*) FOLLOWING THE VALUE, MAY HAVE DIFFERENT VALUES, OR MAY NOT BE STUFFED DEPENDING ON MODEL. SEE STUFFING CHART FOR CLARIFICATION.

APPEND THE FOLLOWING DOCUMENTS WHEN CHANGING THIS DOCUMENT:		DRAWING CONTENT:		TITLE	
		DRAWN BY: (INITIAL RELEASE)		SCHEMATIC DIAGRAM	
		RHESS	09/04/02	BL2500/OEM2500	
		REVISED BY:		COYOTE	
		K.FREEMAN	5/11/05	 2900 SPAFFORD ST. DAVIS, CA 95616 530 - 757-4616	
		APPROVALS: INITIAL RELEASE			
		PROJECT ENGINEER:		SIZE	DWG NO.
		RICHARD HESS	09/17/02	C	090-0158
		ENGINEERING MANAGER:			
		R.MATTHEWS	09/17/02	SCALE	NONE
		SIGNATURES	DATE	RELEASE DATE	09/17/02
				SHEET	1 OF 2

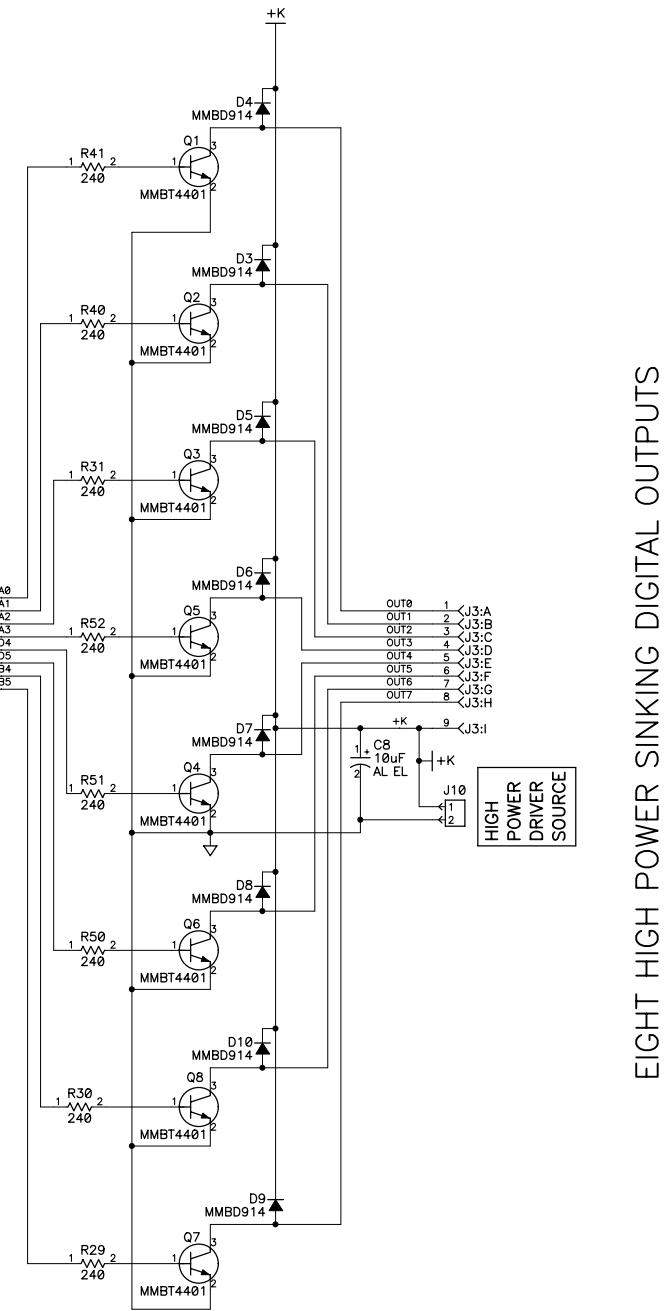
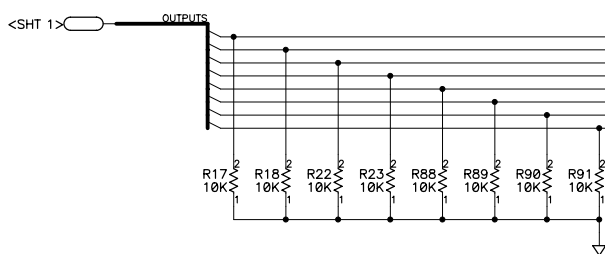
STUFFING TABLE

	STANDARD BOARD VERSIONS		PRODUCT OPTIONS				HIGHER VOLUME OEM VERSIONS	
	BL2500	BL2510	BL2500 WITH MORE MEMORY	BL2510 WITH MORE MEMORY	BL2500 WITH 10/100 ETHERNET	OEM2500 WITH RCM3010 (WITH ETHERNET)	OEM2500 WITH RCM3110 (NO ETHERNET)	
TVS1	UNINSTALLED	UNINSTALLED	UNINSTALLED	UNINSTALLED	UNINSTALLED	UNINSTALLED	UNINSTALLED	
R55	UNINSTALLED	UNINSTALLED	UNINSTALLED	UNINSTALLED	UNINSTALLED	UNINSTALLED	UNINSTALLED	
R56	UNINSTALLED	UNINSTALLED	UNINSTALLED	UNINSTALLED	UNINSTALLED	UNINSTALLED	UNINSTALLED	
R58	INSTALLED	INSTALLED	INSTALLED	INSTALLED	INSTALLED	INSTALLED	INSTALLED	
RCM1	RCM3010	RCM3110	RCM3000	RCM3100	RCM3200	RCM3010	RCM3110	
BT1	BR2477A/GA	BR2477A/GA	BR2477A/GA	BR2477A/GA	BR2477A/GA	UNINSTALLED	UNINSTALLED	
RABBITNET CIRCUIT	INSTALLED	INSTALLED	INSTALLED	INSTALLED	INSTALLED	UNINSTALLED	UNINSTALLED	
8 FAST INPUTS CIRCUIT	INSTALLED	INSTALLED	INSTALLED	INSTALLED	INSTALLED	UNINSTALLED	UNINSTALLED	
R83	UNINSTALLED	UNINSTALLED	UNINSTALLED	UNINSTALLED	UNINSTALLED	INSTALLED	INSTALLED	

PROTECTED DIGITAL INPUTS

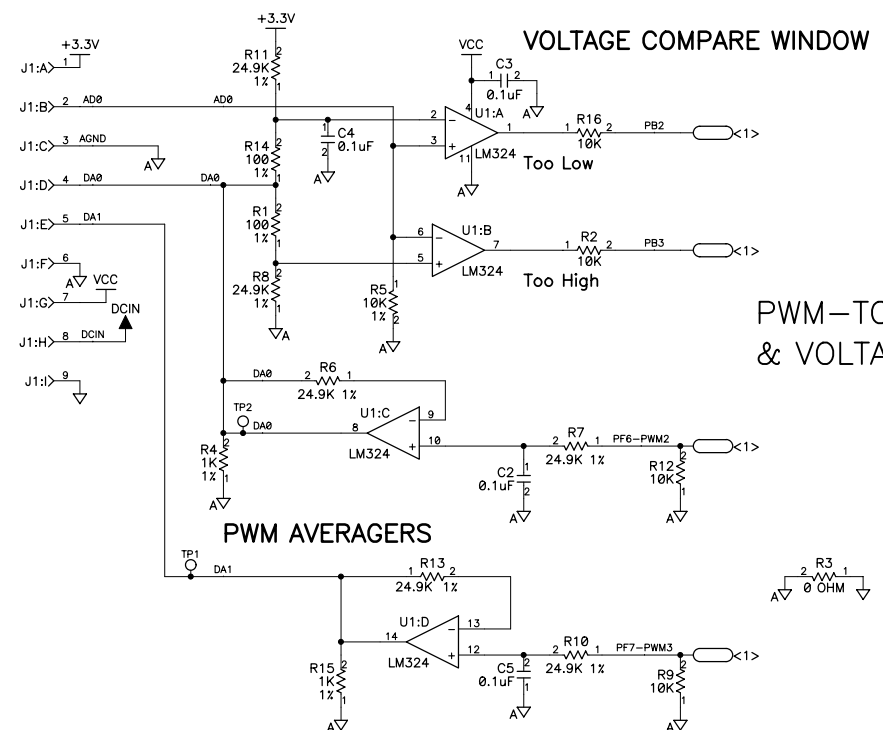


OUTPUTS FROM PORT A



EIGHT HIGH POWER SINKING DIGITAL OUTPUTS

PWM-T0-VOLTAGE OUTPUT INPUT VOLTAGE COMPARATOR



PWM-T0-VOLTAGE OUT & VOLTAGE COMPARATOR

ANALOG OUT/IN

COPYRIGHT 2005, Z-WORLD, INC.

SIZE C	DWG NO. 090-0158
SCALE NONE	REV LTR H
SHEET 2	OF 2

5/11/05