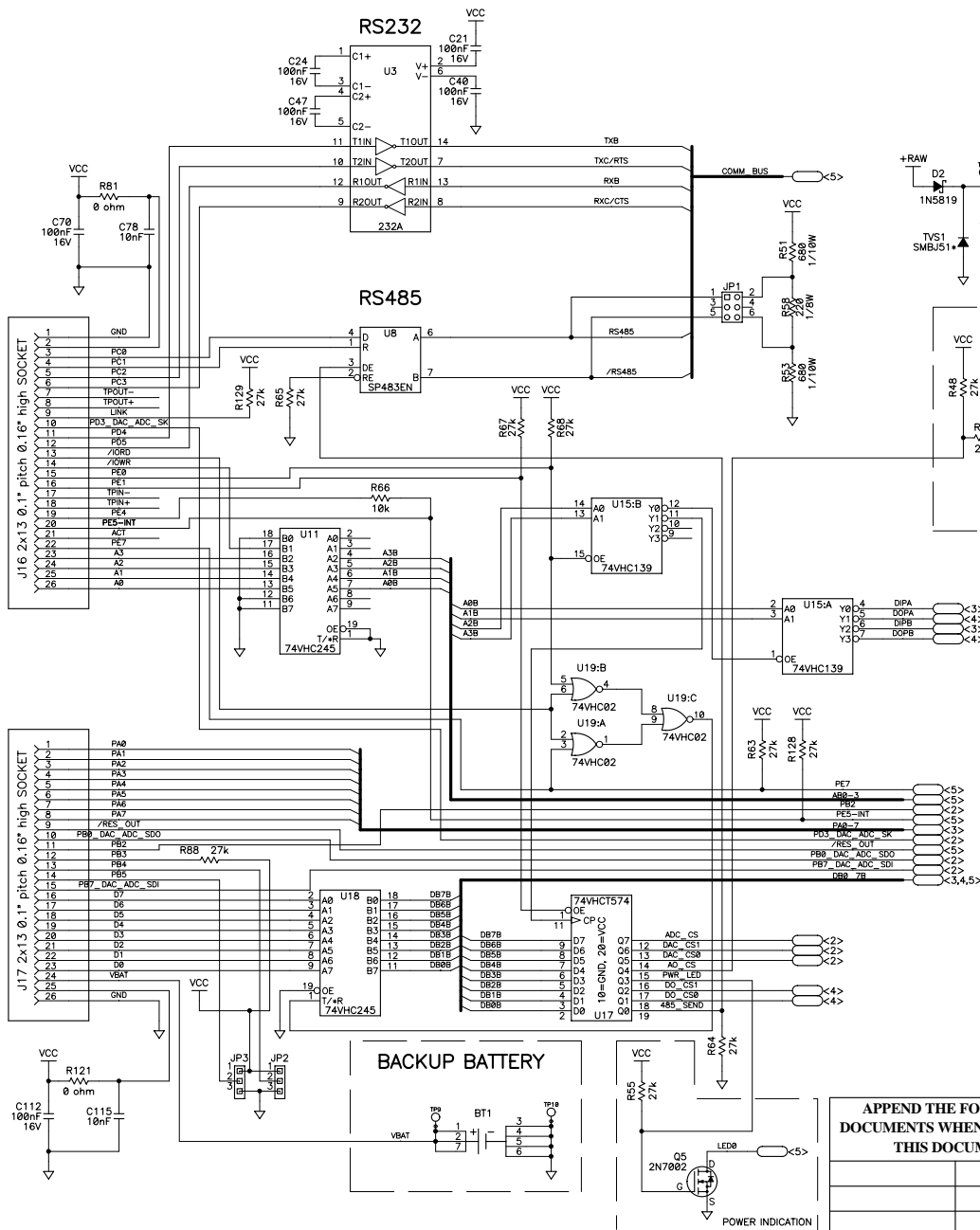
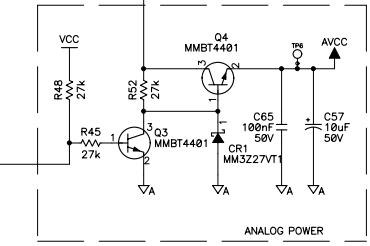
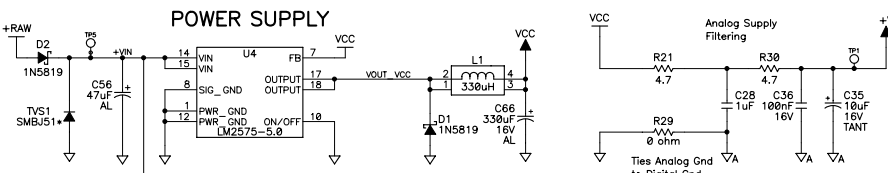


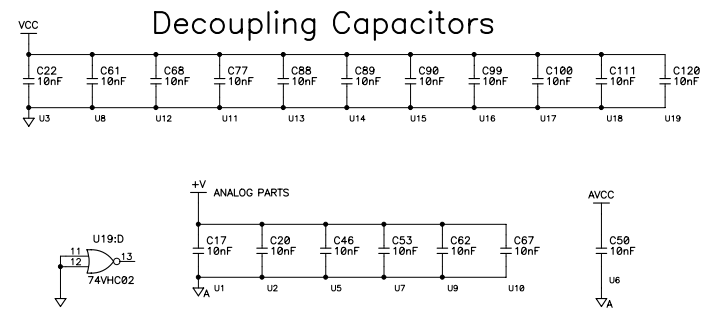
To Rabbitcore*



		REVISION HISTORY	REVISION APPROVAL			
REV	ECO	DESCRIPTION OF CHANGE	PROJECT ENGINEER	APPROVAL DATE	DOCUMENT CONTROL	APPROVAL DATE
C	E11936	MERGE J2/3, J5/6, J8/9, J10/12, J14/15. RELABEL RS232 SIGNALS TXB/C, RXB/C. REDO STUFF CHART. ADD 0-10V A/D OPTION. GENERAL CLEANUP.	EP	05/14/02	KLS	05/14/02
D	E12080	CORRECT PIN LABEL PB2 AND PB3	JF	09/25/02	KLS	09/25/02
E	E12239	MERGE J1/2,10/11,13/14,7/8,4/5. DEFINES A SINGLE CONNECTOR LOCATION WITH A SINGLE REFERENCE DESIGNATOR INSTEAD OF MULTIPLE.	JF	3/12/03	KLS	3/11/03
F	E15657	UPDATE SINKING OUTPUT CIRCUIT - ADDED R130, R131, C121, D19 MODIFIED TEXT TO CORRESPOND WITH PCB.				



- NOTES: UNLESS OTHERWISE SPECIFIED;
1. ALL RESISTOR VALUES ARE IN OHMS, 1/16W, 5X
 2. ALL CAPACITORS ARE 50VDC OR HIGHER.
 3. THE ORIGINATION SOURCE OF A VOLTAGE IS REPRESENTED BY (VCC), AND ALL REFERENCES TO THAT VOLTAGE ARE REPRESENTED BY (VCC).
 4. OUTLINED CIRCUIT MAY NOT BE STUFFED DEPENDING ON MODEL, SEE STUFFING CHART FOR CLARIFICATION.
 5. COMPONENT VALUES SHOWN WITH AN ASTERISK (*) FOLLOWING THE VALUE, MAY HAVE DIFFERENT VALUES, OR MAY NOT BE STUFFED DEPENDING ON MODEL. SEE STUFFING CHART FOR CLARIFICATION.

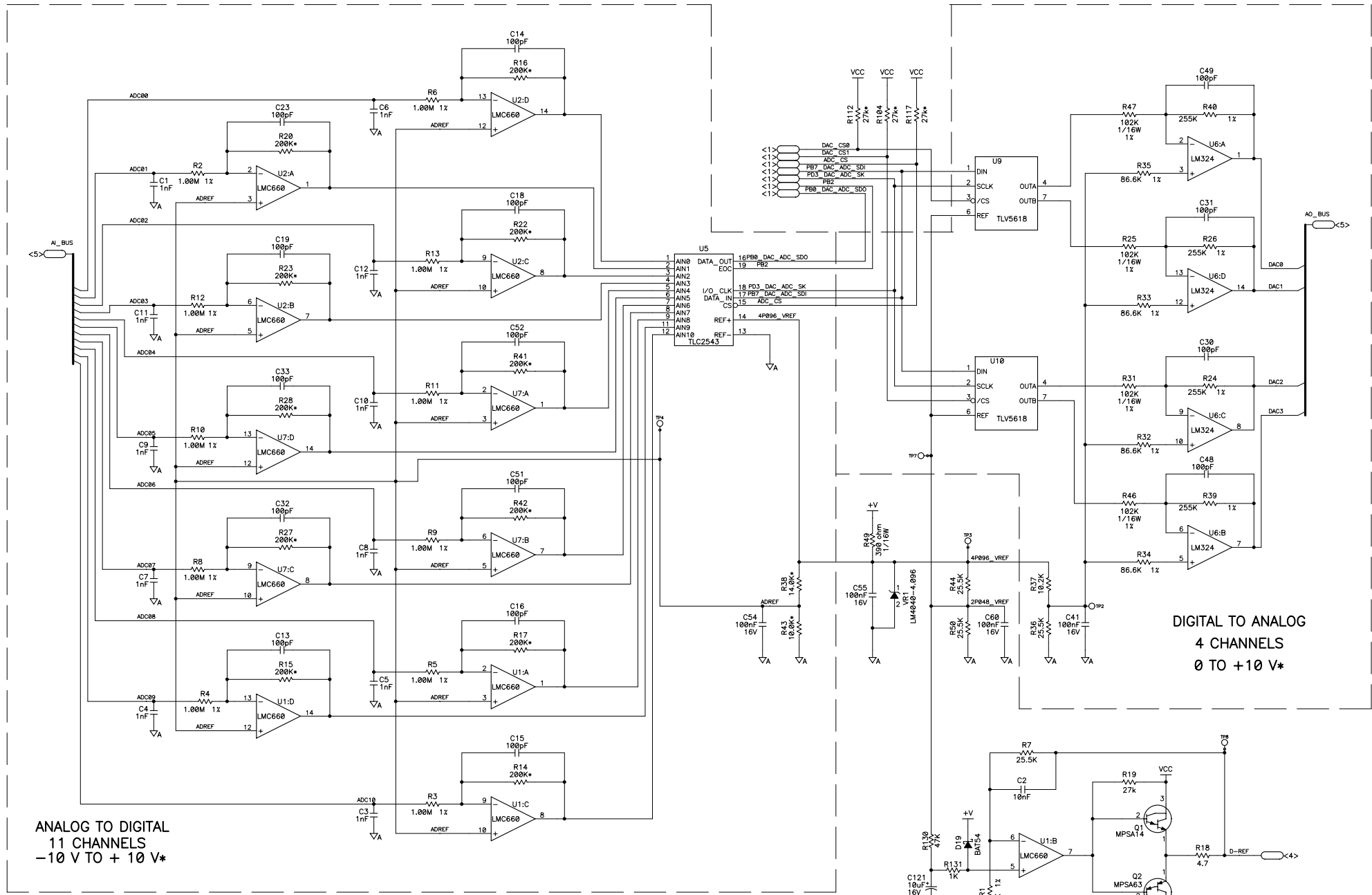


COPYRIGHT 2008 RABBIT SEMICONDUCTOR

APPEND THE FOLLOWING DOCUMENTS WHEN CHANGING THIS DOCUMENT:		DRAWING CONTENT:		TITLE	
		DRAWN BY: (INITIAL RELEASE) Joe Feng	Oct 1,2001	SCHEMATIC DIAGRAM	
		REVISED BY: T. PHAN	1/10/08	BL2100 SERIES	
		APPROVALS: INITIAL RELEASE			
		PROJECT ENGINEER: Joe Feng	1NOV01		
		ENGINEERING MANAGER: R. Matthews	1NOV01	SCALE	NONE
		SIGNATURES		DATE	RELEASE DATE
					Nov 1, 2001
				SHEET	1 OF 6

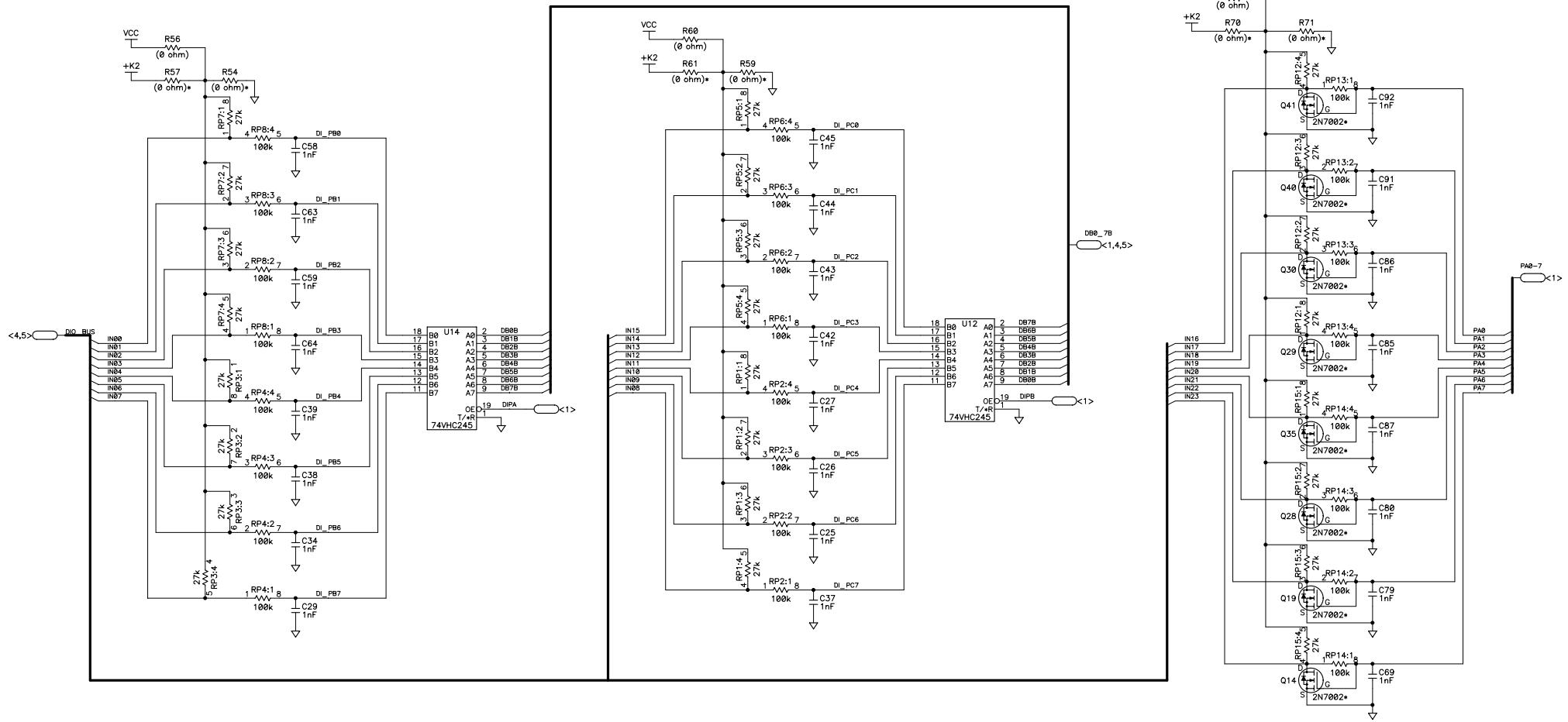
SIZE **C** DWG NO. **090-0124**

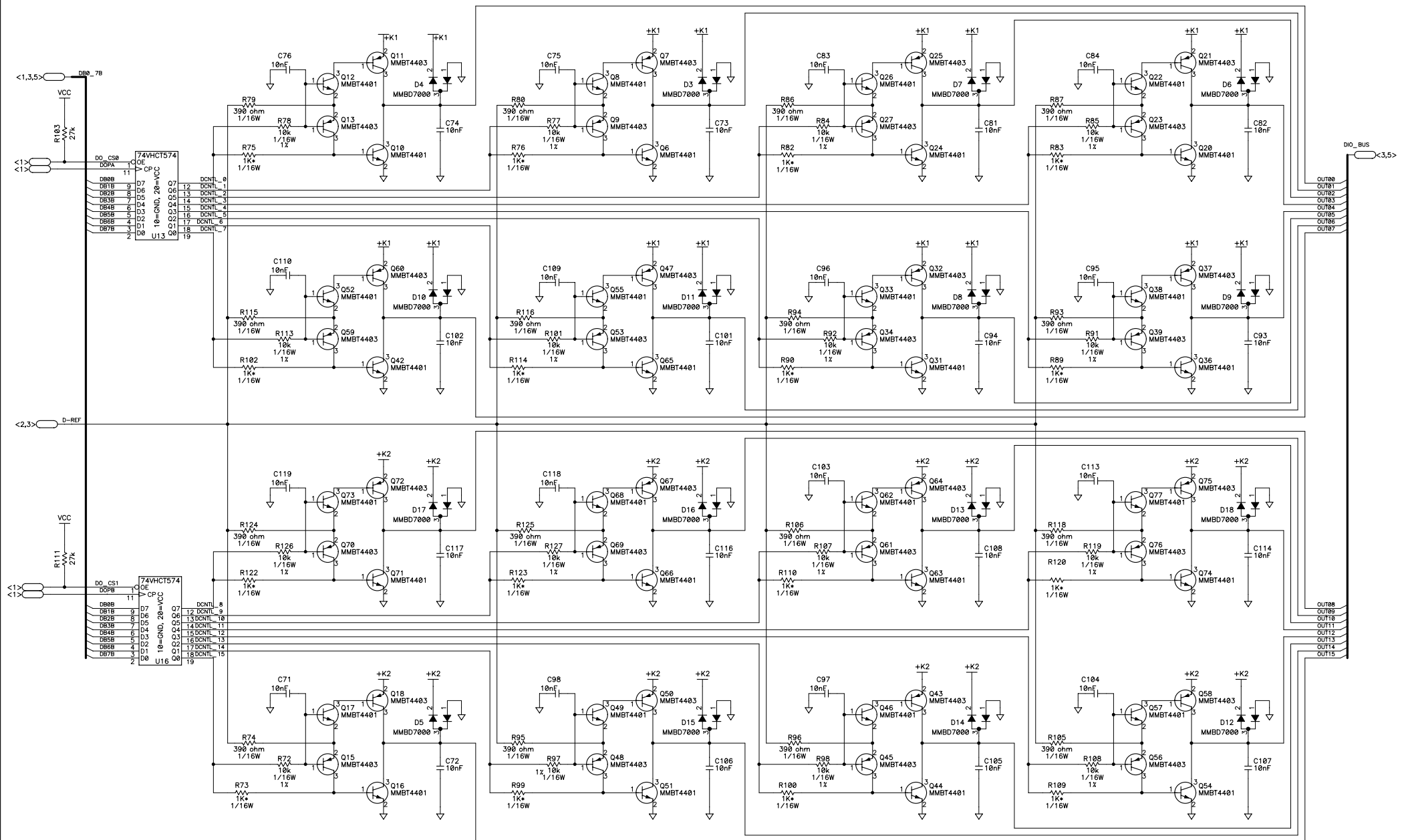
www.rabbit.com

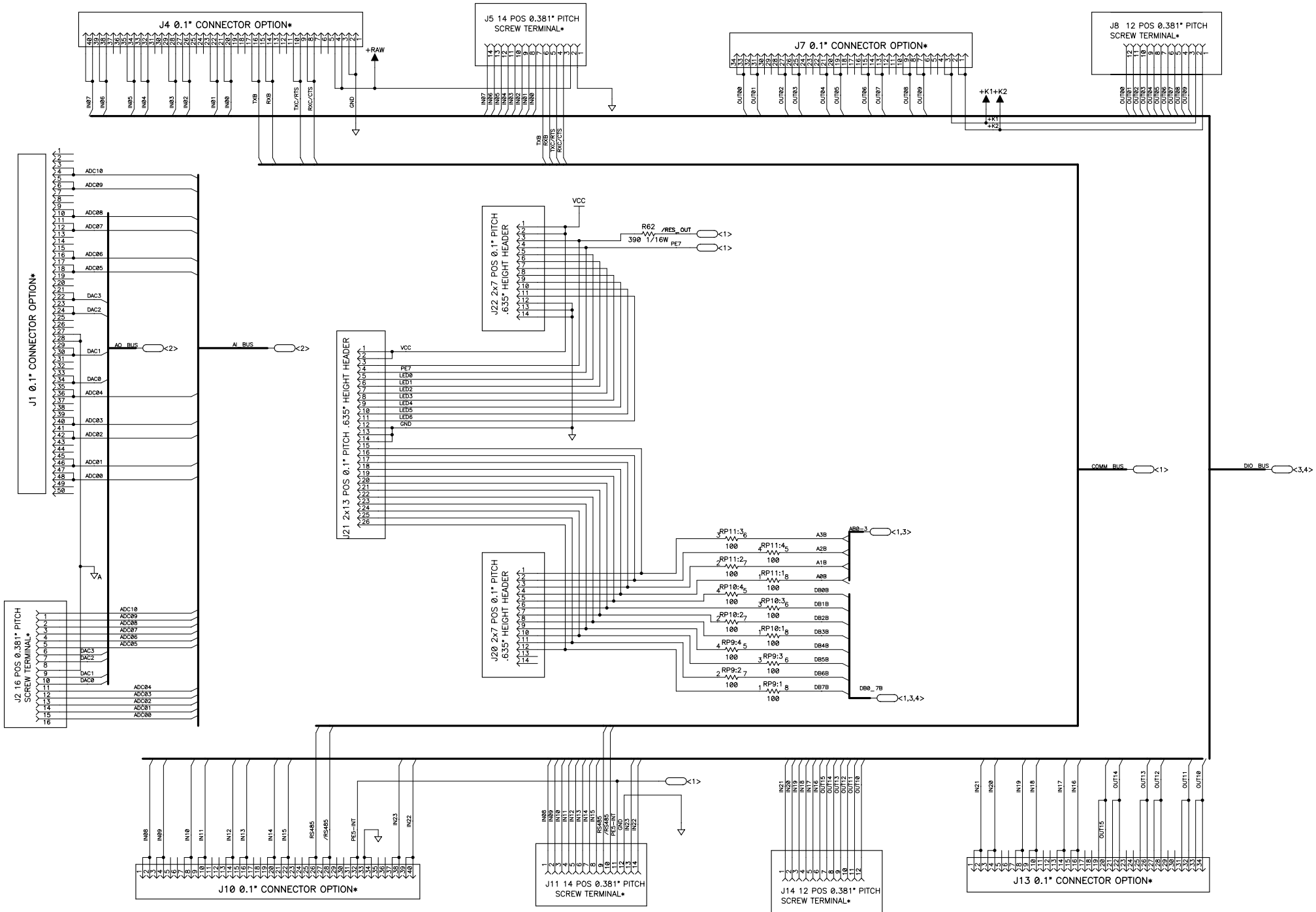


ANALOG TO DIGITAL
11 CHANNELS
-10 V TO + 10 V*

DIGITAL TO ANALOG
4 CHANNELS
0 TO +10 V*







STUFFING TABLE

A/D CIRCUITRY	PART	BL2100/2120	BL2101/2121	BL2110/2130	
	R2-6, 8-13	1M 1% RES	1M 1% RES	NOT INSTALLED	
	R20, 22, 23, 27, 28, 41, 42	200K 1% RES	392K 1% RES		
	R38	14.0K 1% RES	10.2K 1% RES		
	R43	10.0K 1% RES	25.5K 1% RES		
	C1, 3-12	1nF 50V CAP	1nF 50V CAP		
	C13-16, 18, 19, 23, 32, 33, 51, 52	100pF 50V CAP	100pF 50V CAP		
	C20, 46, 53	10nF 50V CAP	10nF 50V CAP		
	C54	100nF 16V CAP	100nF 16V CAP		
	U5	TLC2543 A/D	TLC2543 A/D		
	U2,7	LMC660 OP AMP	LMC660 OP AMP		
	U1	LMC660 OP AMP	LMC660 OP AMP		LMC660 OP AMP
	R14-17	200K 1% RES	392K 1% RES		200K 1% RES
	R38,C54 VOLTAGE	+1.707V	+2.926V		NOT INSTALLED

RABBITCORE INSTALLED AT J10, 16	BL2100/2101/2110	BL2120/2121/2130	BL2100/2110 W/ 512K FLASH/SRAM OPTION INSTALLED
	RCM2200	RCM2300	RCM2250

UNINSTALLED COMPONENTS	CIRCUIT	PART	ALL STANDARD MODELS
	INPUTS PULLED UP TO +K	R57, 61, 70	NOT INSTALLED
	INPUTS PULLED DOWN TO GROUND	R54, 59, 71	NOT INSTALLED
	I/O DRIVERS 16-23	Q14, 19, 28, 29, 30, 35, 40, 41	NOT INSTALLED
	DIG OUT 00-15 SETUP AS SCR & SINK	R73, 75, 76, 82, 83, 89, 90, 99, 100, 102, 109, 110, 114, 120, 122, 123	NOT INSTALLED
	POWER INDICATION	R55, Q5	NOT INSTALLED

D/A CIRCUITRY	PART	BL2100/2120	BL2101/2121	BL2110/2130
	R25, 31, 46, 47	102K 1% RES	102K 1% RES	NOT INSTALLED
	R24, 26, 39, 40	255K 1% RES	255K 1% RES	
	R32-35	86.6K 1% RES	86.6K 1% RES	
	R36	25.5K 1% RES	25.5K 1% RES	
	R37	10.2K 1% RES	10.2K 1% RES	
	C50,62,67	10nF 50V CAP	10nF 50V CAP	
	C30, 31, 48-49	100pF 50V CAP	100pF 50V CAP	
	C41	100nF 16V CAP	100nF 50V CAP	
	U6	LM324 OP-AMP	LM324 OP-AMP	
	U9, 10	TLV5618 D/A	TLV5618 D/A	
	R36, 37 & C41 VOLTAGE	+2.93V	+2.93V	

ANALOG POWER (AVCC)	PART	BL2100/2120	BL2101/2121	BL2110/2130
	R104, 112, 117	27K 5% RES	27K 5% RES	NOT INSTALLED
	Q3,4	4401 NPN TRAN	4401 NPN TRAN	
	CR1	27V ZENER	27V ZENER	
	R45, 48, 52	27K 5% RES	27K 5% RES	
	C57	10uF 50V CAP	10uF 50V CAP	
C65	100nF 50V CAP	100nF 50V CAP		
CONFIG IND.	JP3	1-2	1-2	2-3

POWER TABLE

REF DES	DEVICE	DEVICE VOLTAGE INFORMATION					FILTER CAP
		VCC	AVCC	+V	GND	AGND	
U1	LMC660			4		11	C17
U2	LMC660			4		11	C20
U3	232A	16			15		C22
U5	TLC2543			20		10	C46
U6	LM324		4			11	C50
U7	LMC660			4		11	C53
U8	SP483EN	8			5		C61
U9	TLV5618			8		5	C62
U10	TLV5618			8		5	C67
U11	74VHC245	20			10		C77
U12	74VHC245	20			10		C68
U13	74VHCT574	20			10		C88
U14	74VHC245	20			10		C89
U15	74VHC139	16			8		C90
U16	74VHCT574	20			10		C99
U17	74VHCT574	20			10		C100
U18	74VHC245	20			10		C111
U19	74VHC02	14			7		C120

CONNECTOR OPTIONS	PART	ALL MODELS STANDARD***	WITH INSTALLED IDC OPTION	WITH INSTALLED MOLEX KK OPTION	WITH INSTALLED BOTTOM SOCKETS
	J1	16 POS SCREW TERM	2X25 IDC HEADER	(2) 1X12 KK CONN	1X25 SOCKET
	J4, 10	14 POS SCREW TERM	2X20 IDC HEADER	1X20 KK CONN	1X20 SOCKET
	J7, 13	12 POS SCREW TERM	2X17 IDC HEADER	1X17 KK CONN	1X17 SOCKET
	*** NOTES: J1 NOT INSTALLED ON MODELS WITHOUT A/D OR D/A. J10 MAY BE MARKED AS J11 ON SOME PCBs.				

COPYRIGHT 2008 RABBIT SEMICONDUCTOR

SIZE	DWG NO.				
C	090-0124				
SCALE	NONE	REV LTR	F	SHEET	6 OF 6