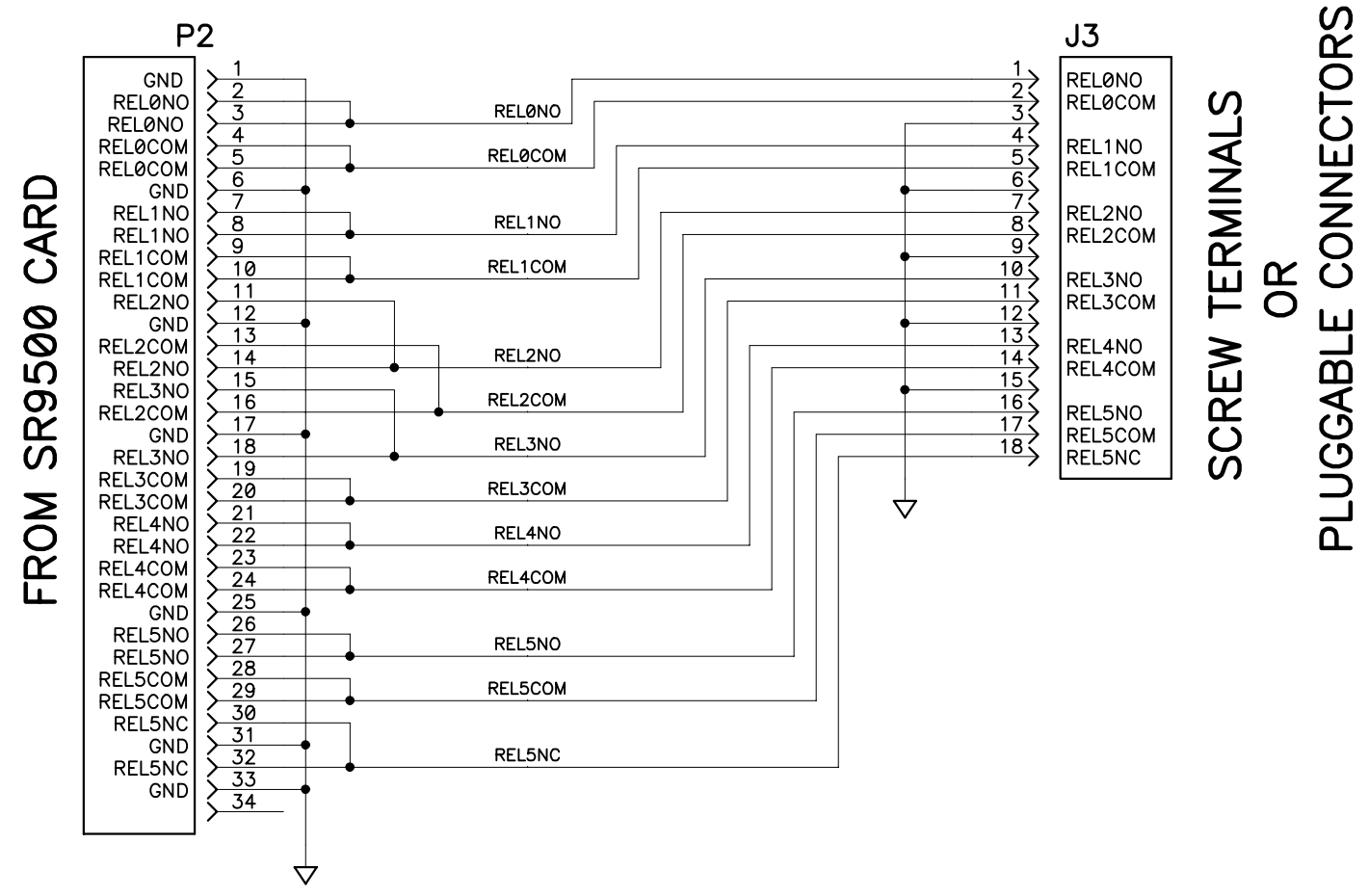



REVISION HISTORY			REVISION APPROVAL			
REV	ECO	DESCRIPTION	PROJECT ENGINEER	APPROVAL DATE	DOCUMENT CONTROL	APPROVAL DATE
A	E11217	INITIAL RELEASE	DM	11/27/00	KLS	11/27/00



COPYRIGHT 2000, Z-WORLD, INC.

	APPEND THE FOLLOWING DOCUMENTS WHEN CHANGING THIS DOCUMENT:	DRAWING CONTENT:		TITLE SCHEMATIC DIAGRAM SR9500 SERIES ONLY 18 POSITION FIELD WIRING TERMINAL	 2900 SPAFFORD ST. DAVIS, CA 95616 530 - 757 - 4616
		DRAWN BY: (INITIAL RELEASE) KEITH HOEK	24MAY00		
		REVISED BY: KEITH HOEK	26SEP00		
		APPROVALS: INITIAL RELEASE			
		PROJECT ENGINEER: Darren Musgrove	11/27/00	SIZE A	DWG NO. 090-0106
		ENGINEERING MANAGER: R. Matthews	11/27/00	SCALE NONE	RELEASE DATE
		SIGNATURES	DATE	SHEET 1 OF 1	