

6

5

4

3

2

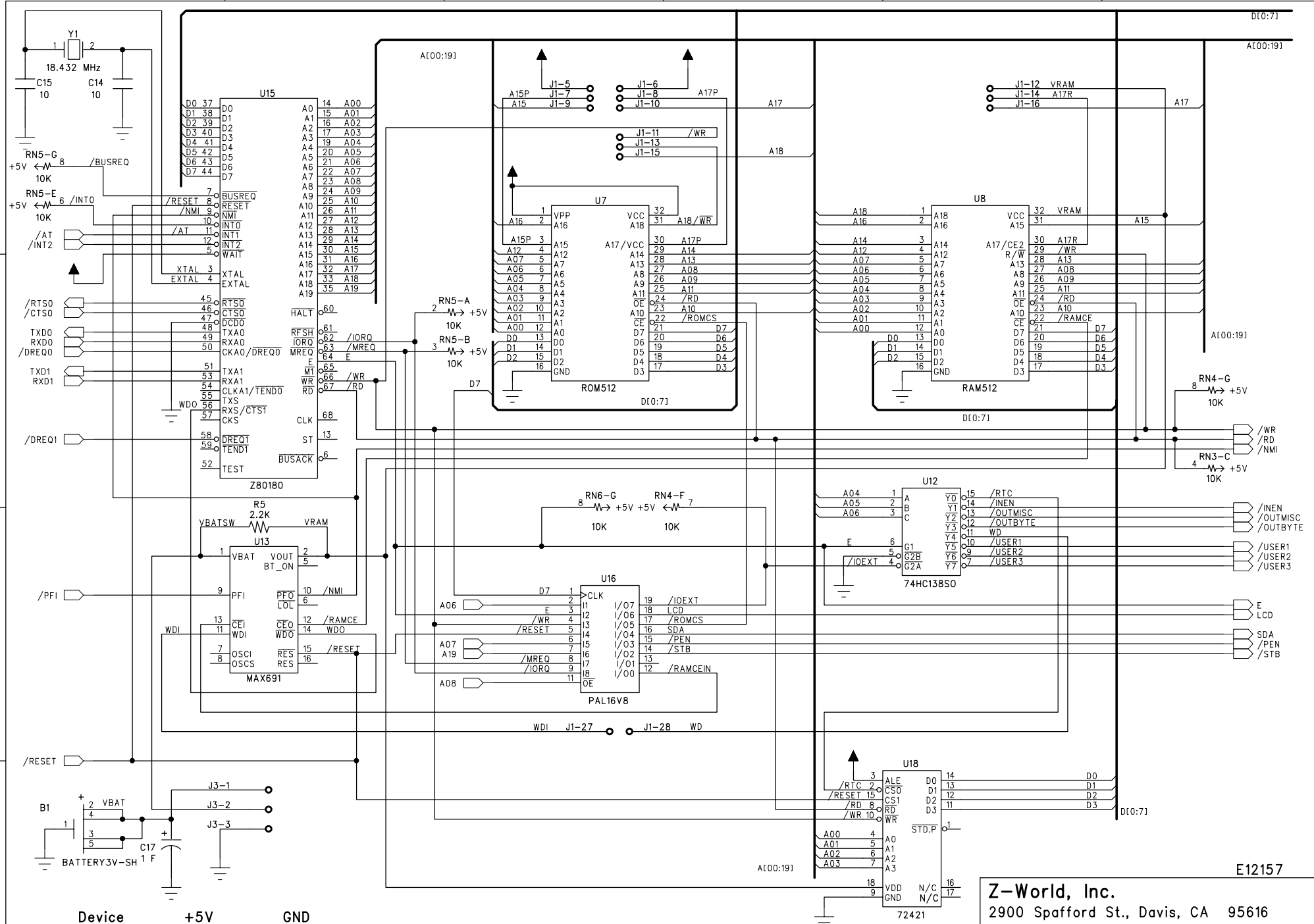
1

D

C

B

A



| Device | +5V | GND |
|--------|-----|-----------|
| U12 | 16 | 8 |
| U13 | 3 | 4 |
| U15 | 34 | 1,2,18,36 |
| U16 | 20 | 10 |

E12157
Z-World, Inc.
 2900 Spafford St., Davis, CA 95616

| | |
|-----------------------------|-----------------------|
| Title: BL1600 | PCB Rev: C |
| Drawing: 090-0096 | Date: 12/05/02 |
| | Sheet: 1 |
| | of: 4 |

6

5

4

3

2

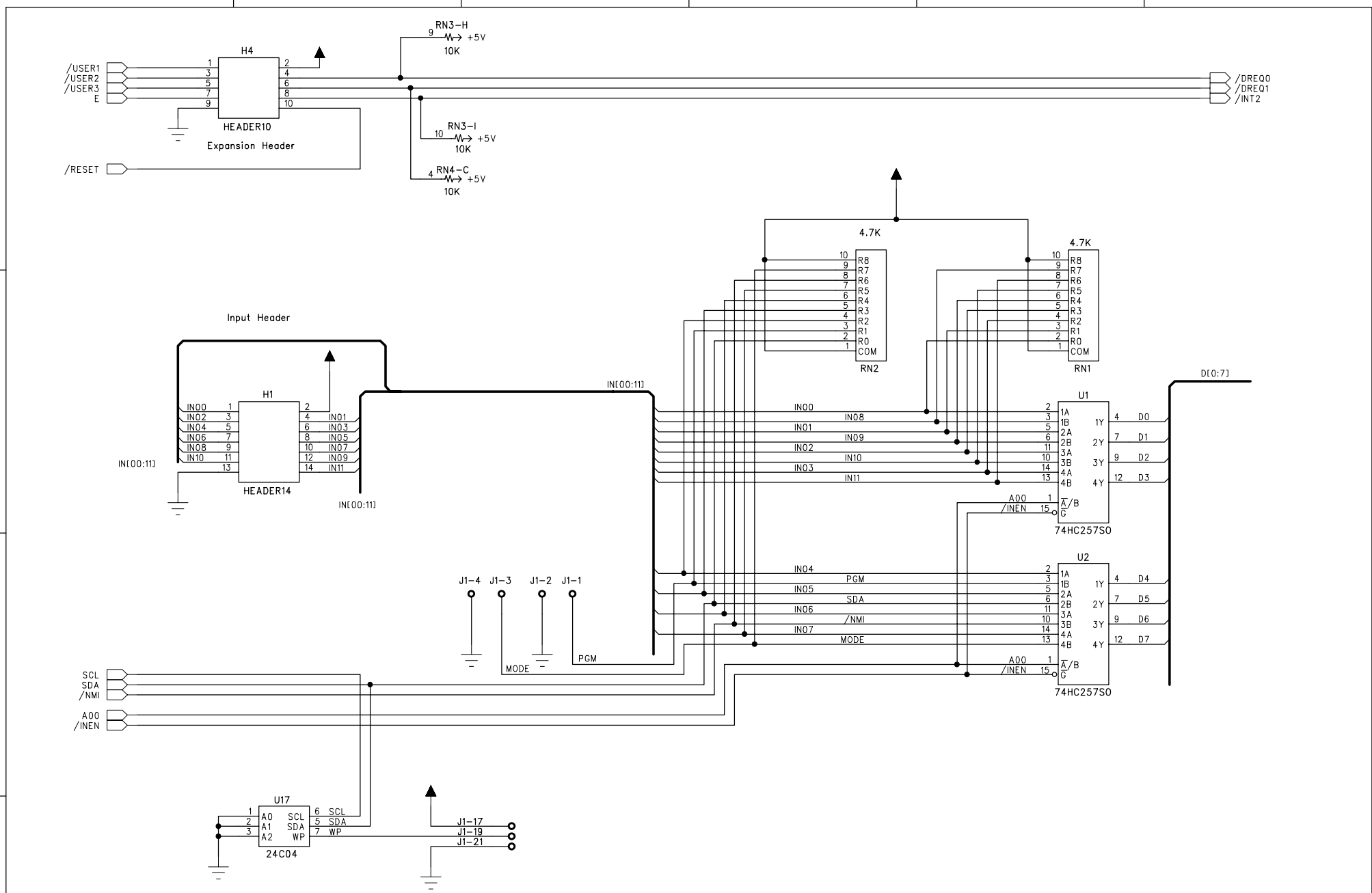
1

D

C

B

A



| Device | +5V | GND |
|--------|-----|-----|
| U1, U2 | 16 | 8 |
| U17 | 8 | 4 |

E12157

Z-World, Inc.
 2900 Spafford St.; Davis, CA 95616

| | |
|-----------------------------|-----------------------|
| Title: BL1600 | Rev: C |
| | Date: 12/05/02 |
| Drawing: 090-0096 | Sheet: 2 |
| | of: 4 |

6

5

4

3

2

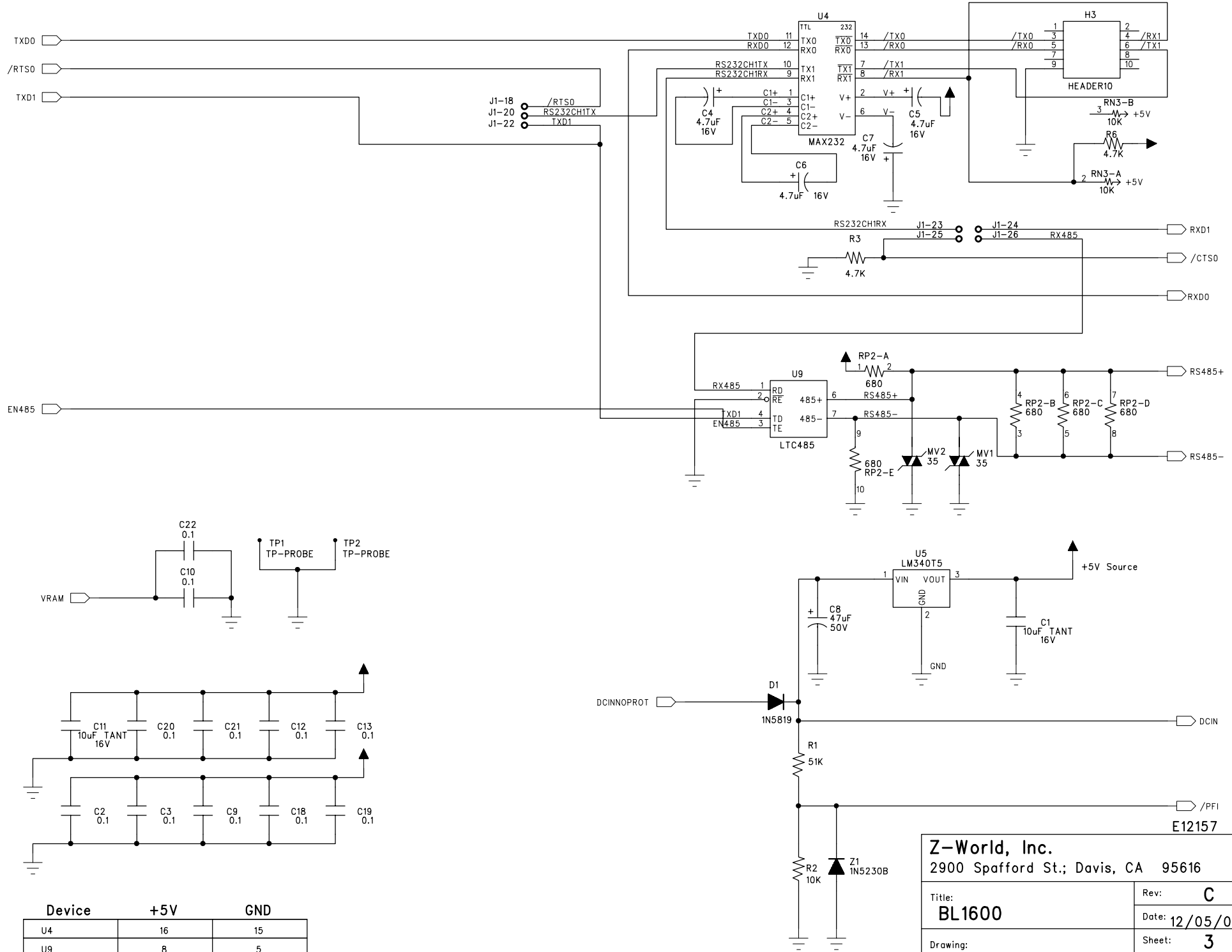
1

D

C

B

A



| Device | +5V | GND |
|--------|-----|-----|
| U4 | 16 | 15 |
| U9 | 8 | 5 |

E12157

Z-World, Inc.
 2900 Spafford St.; Davis, CA 95616

| | | | |
|----------|----------|--------|----------|
| Title: | BL1600 | Rev: | C |
| Drawing: | 090-0096 | Date: | 12/05/02 |
| | | Sheet: | 3 |
| | | of: | 4 |

6

5

4

3

2

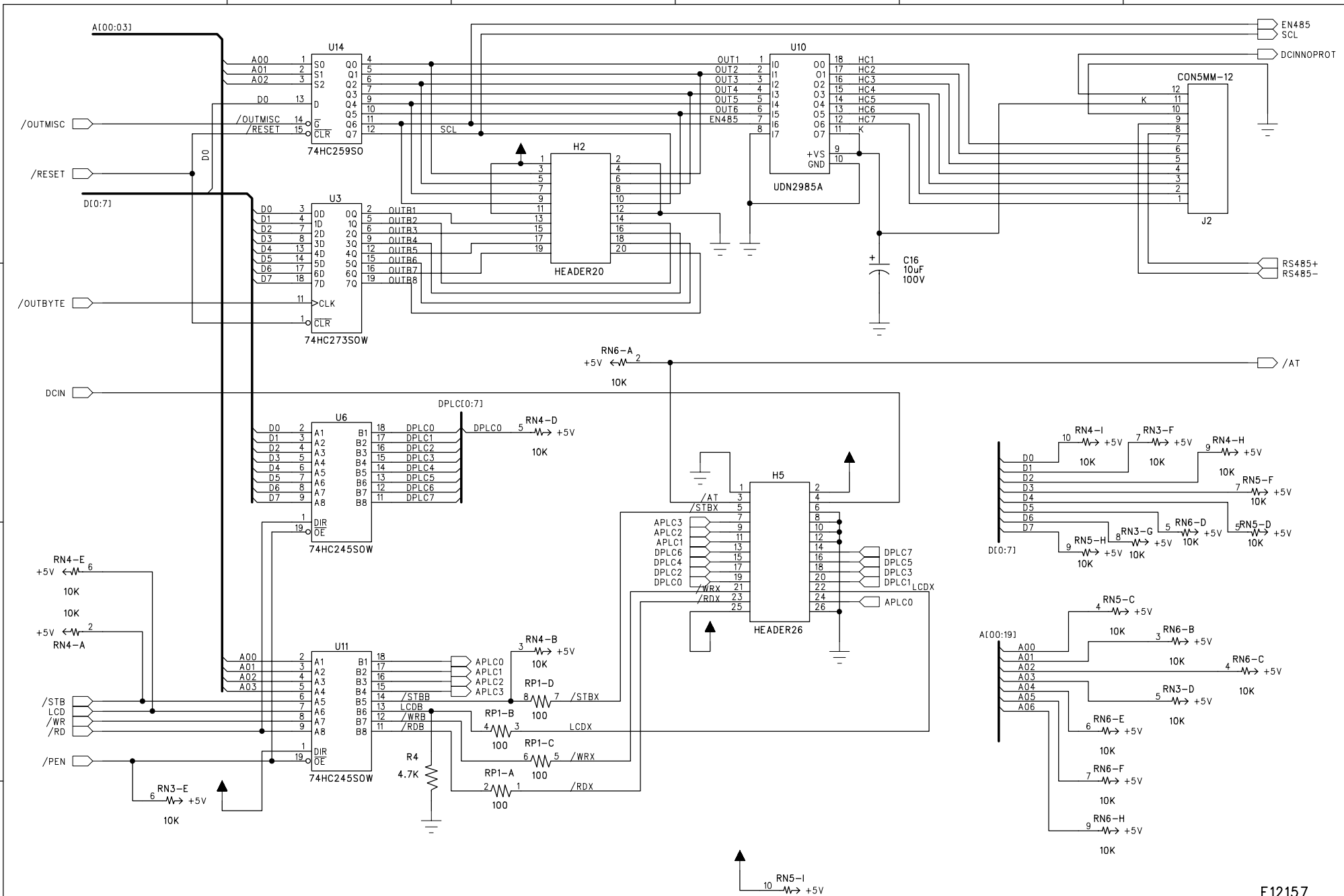
1

D

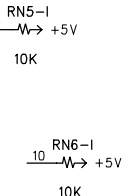
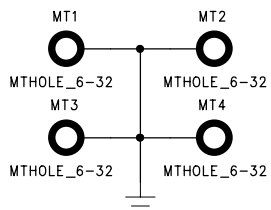
C

B

A



| Device | +5V | GND |
|-------------|-----|-----|
| U3, U6, U11 | 20 | 10 |
| U14 | 16 | 8 |



E12157

Z-World, Inc.
 2900 Spafford St.; Davis, CA 95616

| | | | |
|----------|----------|--------|----------|
| Title: | BL1600 | Rev: | C |
| Drawing: | 090-0096 | Date: | 12/05/02 |
| | | Sheet: | 4 |
| | | of: | 4 |