


Cables

EIA-232 Terminal/Printer Cables, RJ-11 6-pin to DB-9

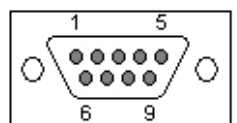
The wiring diagram for an RJ-11 6-pin to DB-9 terminal/printer cable is shown in Table 1.

Table 1: EIA-232 RJ-11 6-pin to DB-9 terminal/printer cable

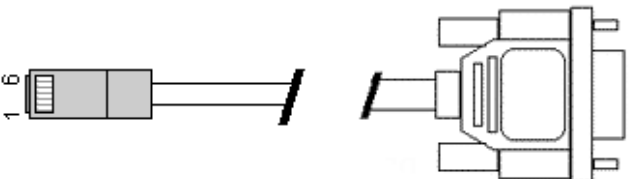
From RJ-11	Signal	Direction	Signal	To DB-9
4	RxD	←	TxD	3
3	TxD	→	RxD	2
5	SG	↔	SG	5
1	RTS	→	CTS	8
6	CTS	←	DTR	4
2	GND	↔	GND	Shell



FRONT:
RJ-11 6-pin



Male DB-9



Connectors not to scale

* Arrows indicate which direction the signal is flowing

NOTES:

- This cable utilizes the DTR signal of the terminal/printer for hardware flow control (RTS/CTS).
- Some Unix operating systems require carrier to be present. If this is the case, the `forcedcd` parameter will need to be turned on for this port at the host.