

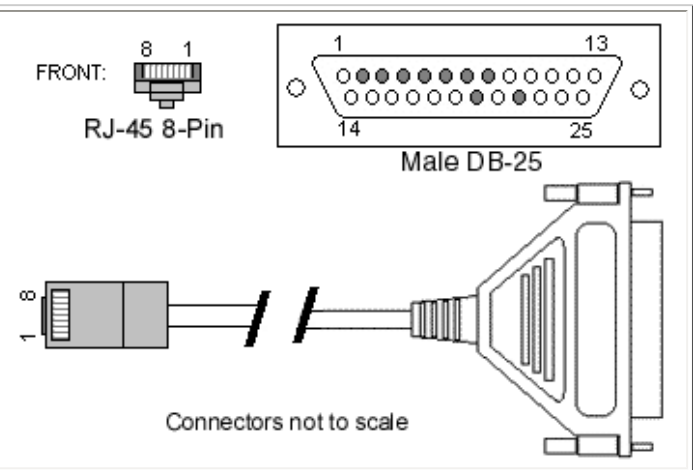
Modem Cables

EIA-232 Modem Cables, Altpin RJ-45 8-pin to DB-25

The wiring diagram for a Altpin RJ-45 8-pin to DB-25 modem cable is shown in Table 1.

Table 1: EIA-232 Altpin RJ-45 8-pin to DB-25 modem cable

From RJ-45	Signal	Direction	Signal	To DB-25
1	DCD	←	DCD	8
5	RxD	←	RxD	3
4	TxD	→	TxD	2
8	DTR	→	DTR	20
6	SG	↔	SG	7
2	RTS	→	RTS	4
7	CTS	←	CTS	5
3	GND	↔	GND	Shell



* Arrows indicate which direction the signal is flowing

NOTES:

- Altpin should be turned on when using this cable.
- This cable utilizes the CTS signal of the modem for hardware flow control (RTS/CTS).