

## Modem Cables

# C/X and EPC/X Cables, V.35 Winchester Remote Cable Set

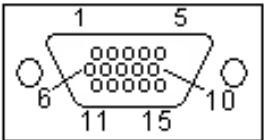
Digi Concentrator Systems using this cable set- AccelePort C/X, AccelePort EPC/X

IBM Concentrator Systems using this cable set- 128-Port Async Adapter

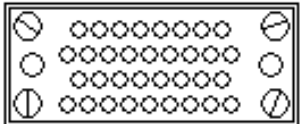
The wiring diagram for the V.35 Winchester Cable Set is shown in Tables 1 and 2.

**Table 1: HD15 Host to V.35 Winchester cable**

From HD15 Male	Signal	Direction	Signal	To V.35 Winchester Male
1	RxD-	←	A RxD	R
2	RxD+	←	B RxD	T
4	RxC-	←	A SCR	V
5	RxC+	←	B SCR	X
6	TxD-	→	A TxD	P
7	TxD+	→	B TxD	S
9	TxC-	←	A SCT	Y
10	TxC+	←	B SCT	AA
12	GND	↔	GND	B
		↻	RTS	C

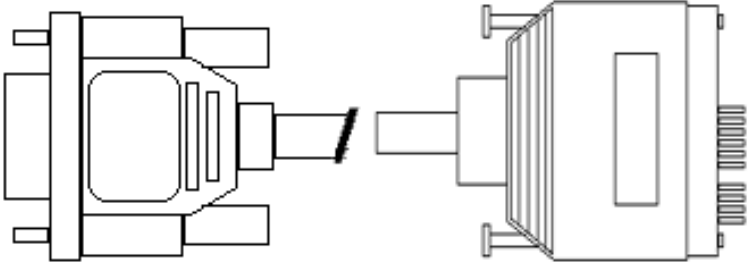


**Male HD-15**



**V.35 Male**

C H M S W AA EE KK  
A E K P U Y CC HH MM  
D J N T X BB FF LL  
B F L R V Z DD JJ NN

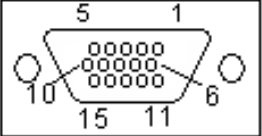


Connectors not to scale


		CTS	D	
--	--	-----	---	--

**Table 2: HD15 Concentrator to V.35 Winchester cable**

From HD15 Female	Signal	Direction	Signal	To V.35 Winchester Male
1	TxD-	→	A TxD	P
2	TxD+	→	B TxD	S
4	TxC-	←	A SCT	Y
5	TxC+	←	B SCT	AA
6	RxD-	←	A RxD	R
7	RxD+	←	B RxD	T
9	RxC-	←	A SCR	V
10	RxC+	←	B SCR	X
12	GND	↔	GND	B
		↻	RTS	C
		↻	CTS	D

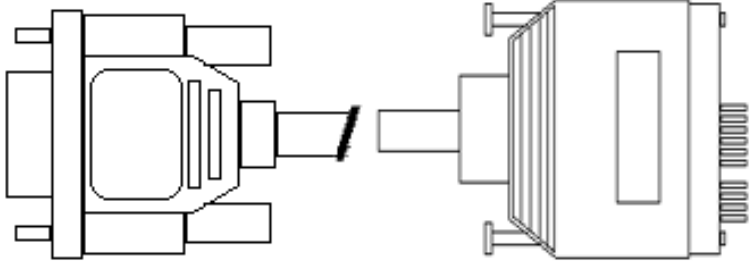


**Female HD-15**



**V.35 Male**

C H M S W AA EE KK  
A E K P U Y CC HH MM  
D J N T X BB FF LL  
B F L R V Z DD JJ NN



Connectors not to scale

\* Arrows indicate which direction the signal is flowing

**NOTES:**

- This cable is designed to connect a C/X or EPC/X host card with it's intended remote concentrator via synchronous equipment which uses the V.35 Winchester cable interface.
- See the [C/X and EPC/X Local and Remote Cabling Options](#) page for other options.