

Modem Cables

C/X and EPC/X Cables, RS422 DB37 Remote Cable Set

Digi Concentrator Systems using this cable set- AccelePort C/X, AccelePort EPC/X

IBM RAN Concentrators using this cable set- 128-Port Async Adapter

C/CON-8 RJ-45	- Part #76000216
C/CON-16 RJ-45	- Part #76000067
EPC/CON-16 RJ-45	- Part #76000059
C/CON-8 DB-25	- Part #76000218
C/CON-16 DB-25	- Part #76000069
EPC/CON-16 DB-25	- Part #76000060
C/CON-8-AIX RJ45	- Part #76000289
C/CON-16-AIX RJ45	- Part #76000091
C/CON-8-AIX DB25	- Part #76000287
C/CON-16-AIX DB25	- Part #76000104

The wiring diagram for the RS422 DB37 Cable Set is shown in Tables 1 and 2.

Table 1: HD15 Host to RS422 DB37 cable

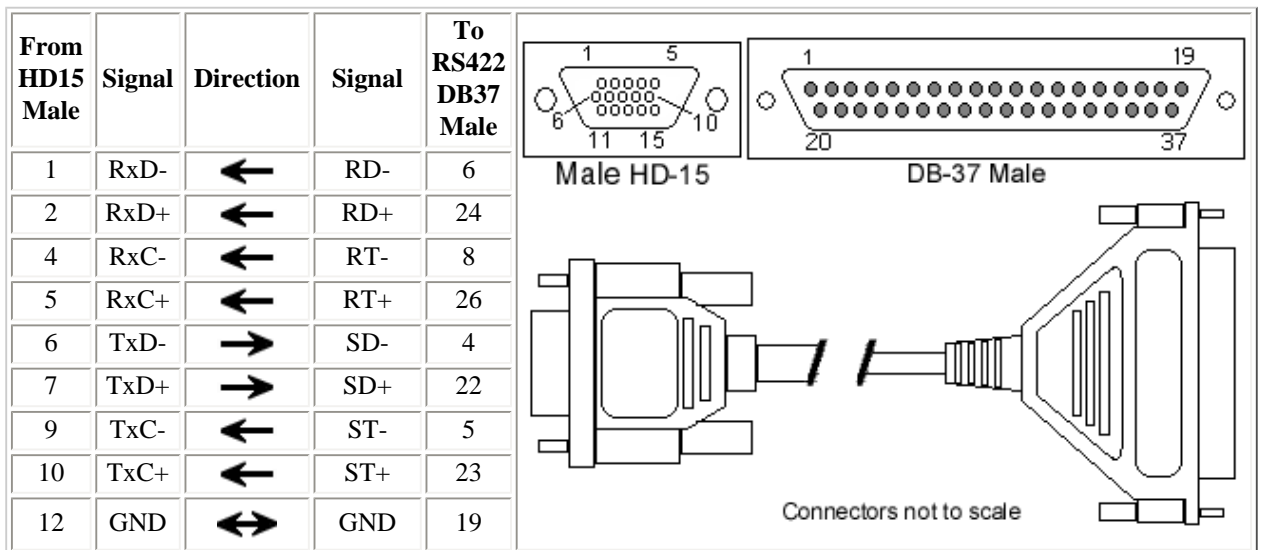
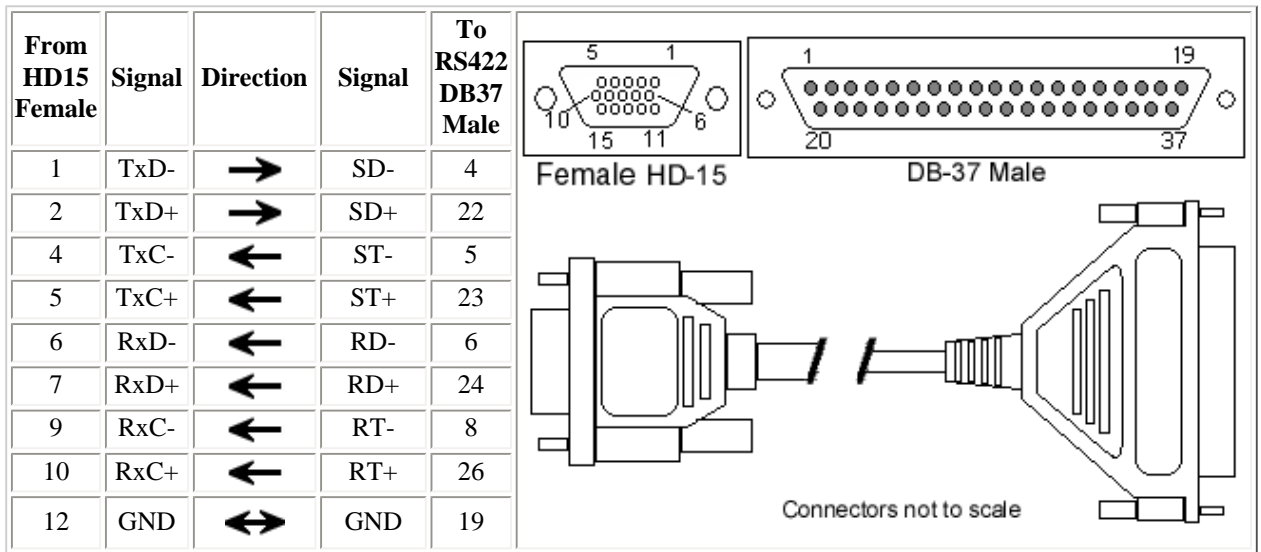


Table 2: HD15 Concentrator to RS422 DB37 cable



* Arrows indicate which direction the signal is flowing

NOTES:

- This cable is designed to connect a C/X or EPC/X host card with it's intended remote concentrator via synchronous equipment which uses the RS422 DB37 cable interface.
- See the [C/X and EPC/X Local and Remote Cabling Options](#) page for other options.