

Modem Cables

C/X and EPC/X Cables, EIA-232 DB25 Remote Cable Set

Digi Concentrator Systems using this cable set- AccelePort C/X, AccelePort EPC/X

IBM Concentrator Systems using this cable set- 128-Port Async Adapter

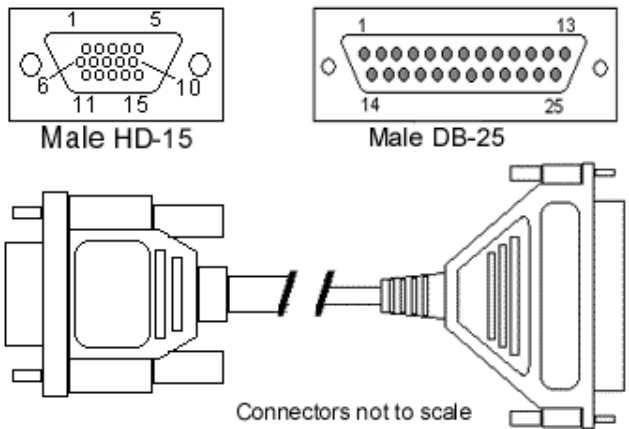
C/CON-8 RJ-45	- Part #76000216
C/CON-16 RJ-45	- Part #76000067
EPC/CON-16 RJ-45	- Part #76000059
C/CON-8 DB-25	- Part #76000218
C/CON-16 DB-25	- Part #76000069
EPC/CON-16 DB-25	- Part #76000060
C/CON-8-AIX RJ45	- Part #76000289
C/CON-16-AIX RJ45	- Part #76000091
C/CON-8-AIX DB25	- Part #76000287
C/CON-16-AIX DB25	- Part #76000104

The wiring diagram for the EIA-232 DB25 Cable Set is shown in Tables 1 and 2. This cable set can also be purchased directly from Digi International with the following part numbers:

Host Adapter to EIA-232 Sync Modem	-Part #76000211
EIA-232 Sync Modem to Remote Concentrator	-Part #76000212

Table 1: HD15 Host to EIA-232 DB25 cable

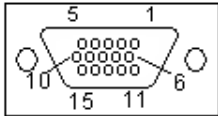
From HD15 Male	Signal	Direction	Signal	To EIA-232 DB25 Male
1	RxD-	←	RxD	3
6	TxD-	→	TxD	2
4	RxC-	←	RxC	17
2200pF Cap.		↕		
5	RxC+	←		
9	TxC-	←	TxC	15
2200pF Cap.		↕		
10	TxC+	←		
		→	RTS	4
		→	DSR	6
		→	DTR	20



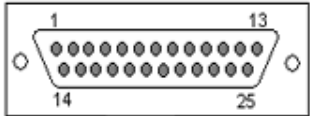
12	GND	↔	SG	7
Shell	GND	↔	GND	1

Table 2: HD15 Concentrator to EIA-232 DB25 cable

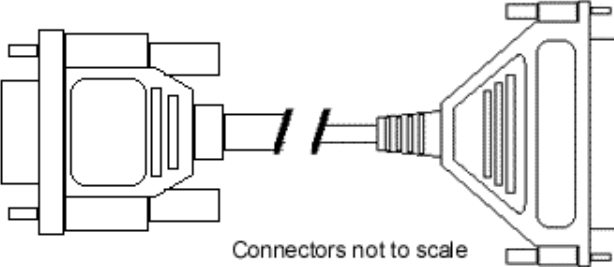
From HD15 Female	Signal	Direction	Signal	To EIA-232 DB25 Male
1	TxD-	→	TxD	2
6	RxD-	←	RxD	3
4	TxC-	↔	TxC	15
2200pF Cap.				
5	TxC+			
9	RxC-	↔	RxC	17
2200pF Cap.				
10	RxC+			
6	RxD-	←	RxD	3
		↔	4	RTS
			6	DSR
			20	DTR
12	GND	↔	7	SG
Shell	GND	↔	1	GND



Female HD-15



Male DB-25



Connectors not to scale

* Arrows indicate which direction the signal is flowing

NOTES:

- This cable is designed to connect a C/X or EPC/X host card with it's intended remote concentrator via synchronous equipment which uses the RS232 DB25 cable interface.
- The 2200 pF Cap. references above represent a 2200 pico Farad Capacitor linking the two adjacent signals.
- This cable is not compatible with older metal C/CONS.