



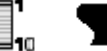

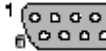


IEA 232 Conversion Chart: Acceleport, Etherlite, and PortServer Families

Acceleport, Etherlite, and PortServer Families RJXX to DBXX Conversion Sheet

RJ- 11 4-pin	RJ-11 6-pin	RJ-45 8-pin	RJ-45 10-pin	EtherLite 8-pin	Signal Name	DB-25 (Male)	DB-9 (Male)
							
			1-----		RI	-----22	-----9
		1-----	2-----	2-----	DSR	-----6	-----6
	1-----	2-----	3-----	1-----	RTS	-----4	-----7
	-						
1-----	2-----	3-----	4-----	-none-	GND	-----Shell	----Shell
2-----	3-----	4-----	5-----	5-----	TxD	-----2	-----3
3-----	4-----	5-----	6-----	4-----	RxD	-----3	-----2
4-----	5-----	6-----	7-----	6-----	SG	-----7	-----5
	6-----	7-----	8-----	8-----	CTS	-----5	-----8
		8-----	9-----	7-----	DTR	-----20	-----4
			10-----	3-----	DCD	-----8	-----1

DCE		DTE
Output-----	RI	-----Input
Output-----	DSR	-----Input

Input-----	RTS	-----Output
Chassis Ground-	GND	-----Chassis Ground
Input-----	TxD	-----Output
Output-----	RxD	-----Input
Signal Ground--	SG	-----Signal Ground
Output-----	CTS	-----Input
Input-----	DTR	-----Output
Output-----	DCD	-----Input