


# Terminal/Printer Cables, RJ-45 (Central Data) to DB-9

EIA-232 Boards with RJ-45 (Central Data) Cable Assemblies (see part numbers below) - EtherLite 2, EtherLite 8, EtherLite 16, EtherLite 160, EtherLite 32, SCSI Terminal Server 1400, SCSI Terminal Server 1800, SCSI Terminal Server 1610, SCSI Terminal Server 1032.

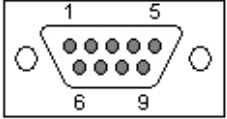
The wiring diagram for an RJ-45 8-pin to DB-9 terminal/printer cable is shown in Table 1.

**Table 1: EIA-232 RJ-45 8-pin to DB-9 terminal/printer cable**

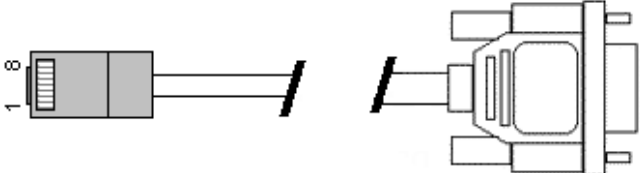
From RJ-45	Signal	Direction	Signal	To DB-9
4	RxD	←	TxD	3
5	TxD	→	RxD	2
			DSR	6
7	DTR	→	DCD	1
6	SG	↔	SG	5
1	RTS	→	CTS	8
8	CTS	←	DTR	4
3	DCD	←	RTS	7



FRONT:  
RJ-45 8-Pin



Male DB-9



Connectors not to scale

\* Arrows indicate which direction the signal is flowing

## NOTES:

- This cable utilizes the DTR signal of the terminal/printer for hardware flow control (RTS/CTS).
- EIA-232 cables cannot exceed 2500pF.