

Adapter Cables

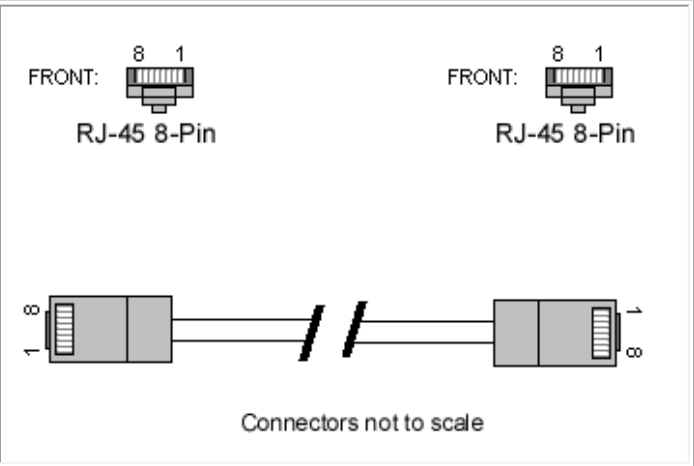
Digi - Cisco Console Adapter, RJ-45 (Central Data) to RJ-45

EIA-232 Boards with RJ-45 Cable Connectors - EtherLite 2, EtherLite 8, EtherLite 16, EtherLite 160, EtherLite 32, SCSI Terminal Server 1400, SCSI Terminal Server 1800, SCSI Terminal Server 1610, SCSI Terminal Server 1032.

The wiring diagram for a RJ-45 8-pin to Cisco Console RJ-45 8-pin adapter cable is shown in Table 1.

Table 1: EIA-232 RJ-45 8-pin to RJ-45 8-pin

From RJ-45	Signal	Direction	Signal	To RJ-45 Cisco
3	DCD	←	DTR	2
4	RxD	←	TxD	3
5	TxD	→	RxD	6
7	DTR	→	DSR	7
6	SG	↔	SG	5
1	RTS	→	CTS	8
8	CTS	←	RTS	1



- Arrows indicate which direction the signal is flowing