

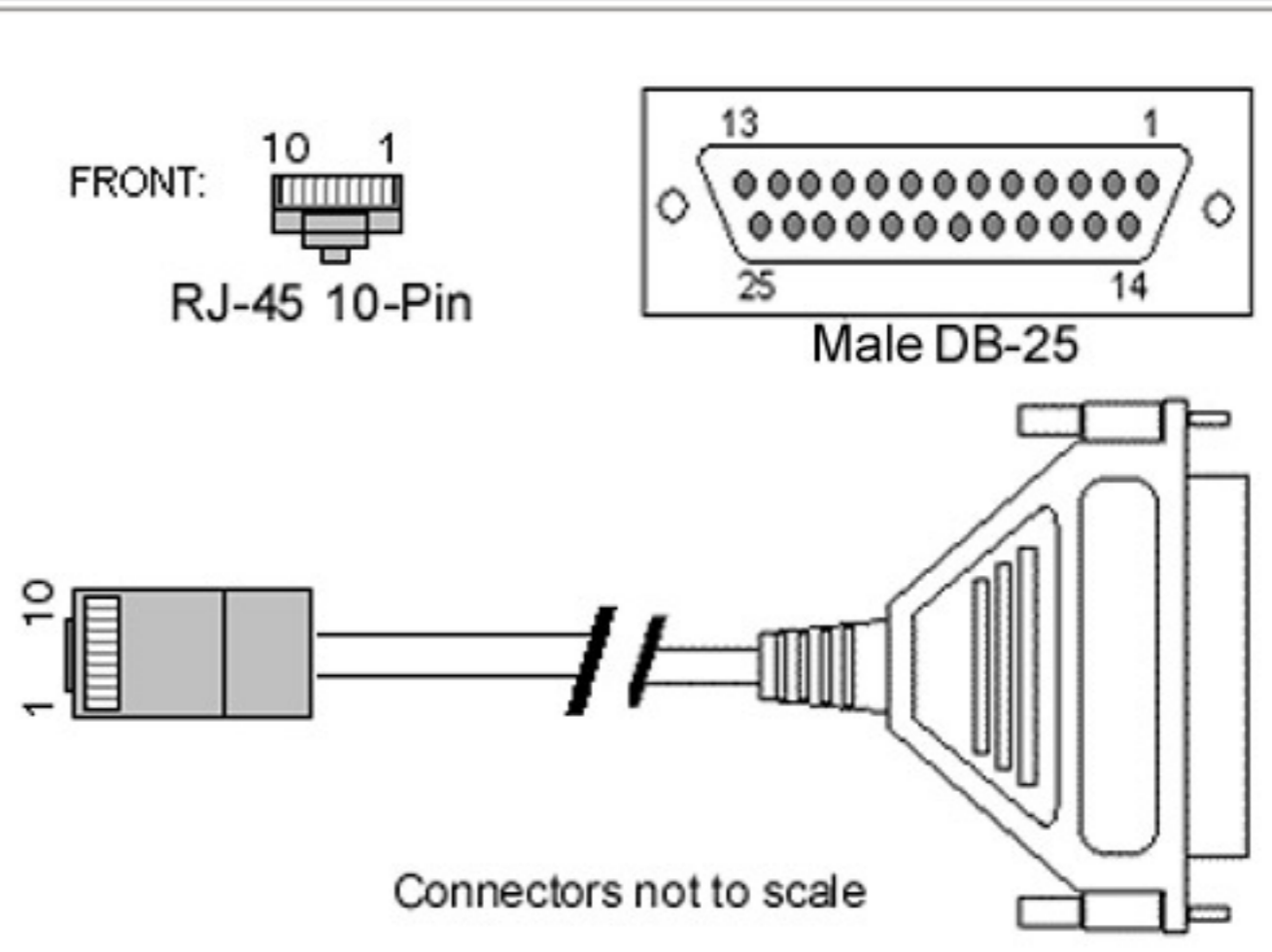
## Cables

# EIA-232 PC Terminal Emulator Cables, RJ-45 10-pin to DB-25

The wiring diagram for an RJ-45 10-pin to DB-25 PC terminal emulator cable is shown in Table 1.

**Table 1: EIA-232 RJ-45 10-pin to DB-25 PC terminal emulator cable**

From RJ-45	Signal	Direction	Signal	To DB-25
10	DCD	↔	DTR	20
2	DSR			
6	RxD	←	TxD	2
5	TxD	→	RxD	3
9	DTR	↔	DSR	6
			DCD	8
7	SG	↔	SG	7
3	RTS	→	CTS	5
8	CTS	←	RTS	4
4	GND	↔	GND	Shell



\* Arrows indicate which direction the signal is flowing

### NOTES:

- Altpin should be turned off when using this cable.
- This cable utilizes the RTS signal of the PC terminal emulator for hardware flow control (RTS/CTS).